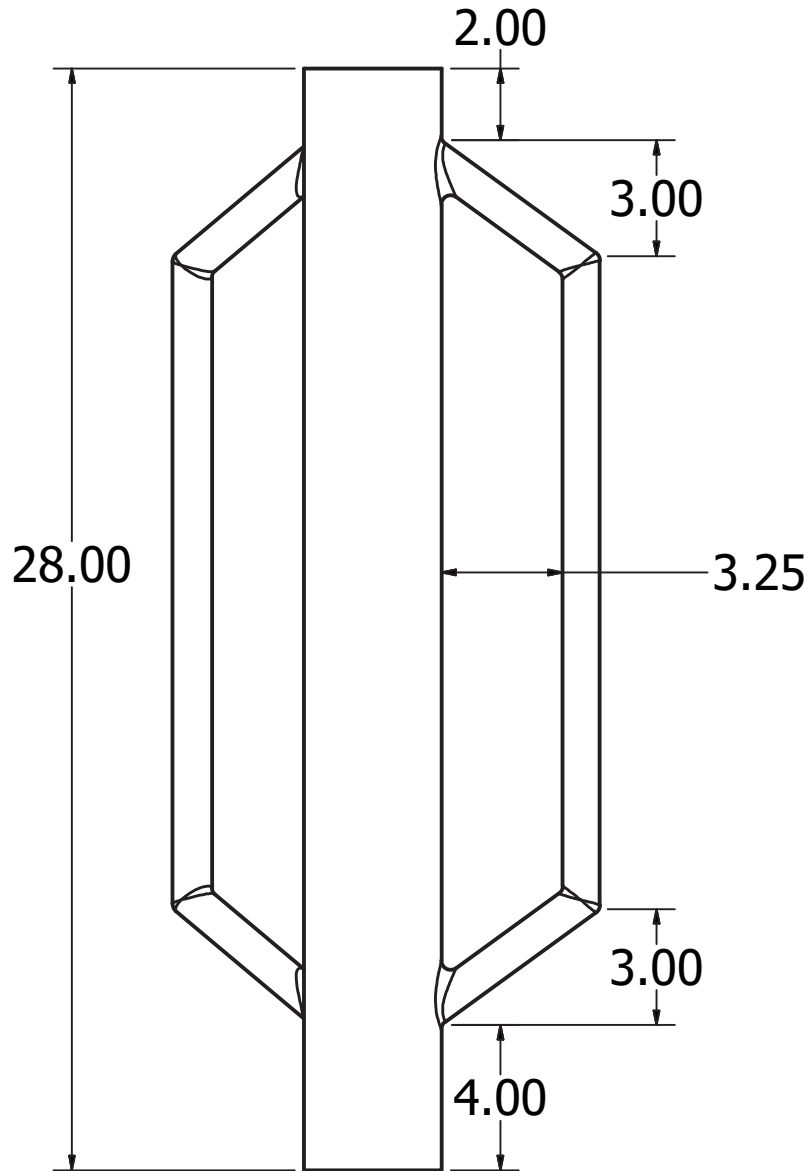


Big Bertha Post Pounder

SPEC DRAWINGS

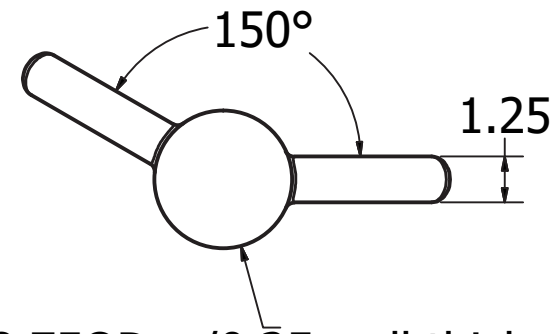
BIG BERTHA

HEAVY-DUTY POST POUNDER



Front View

Bottom View



3.750D w/0.25 wall thickness
Can fit 2.5in diameter pipe.
Not large enough for 3in diameter pipe.

*Weights 27lbs.
2 people required for operation*

