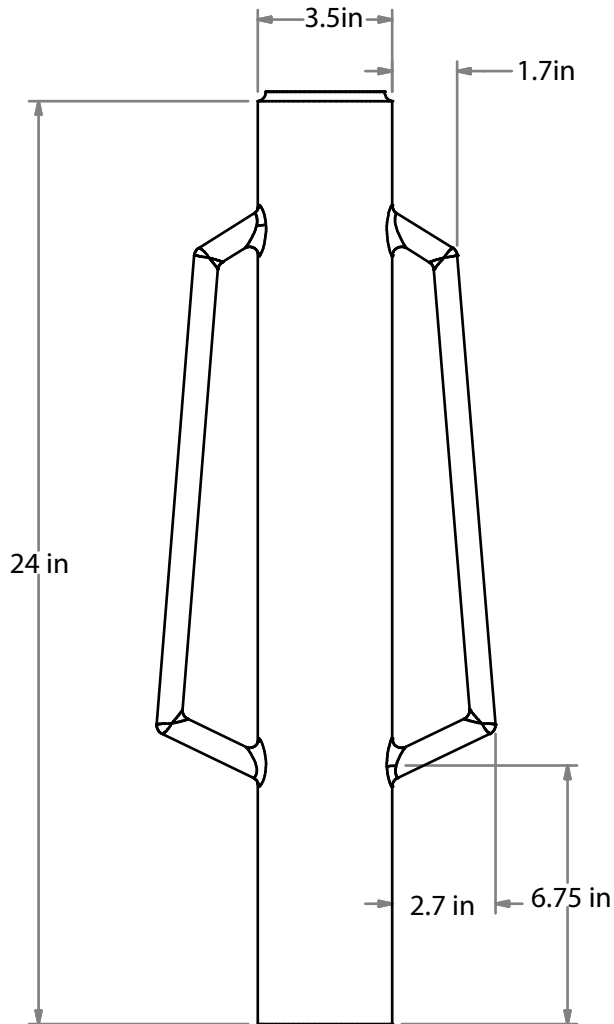


Basic Betty Post Pounder

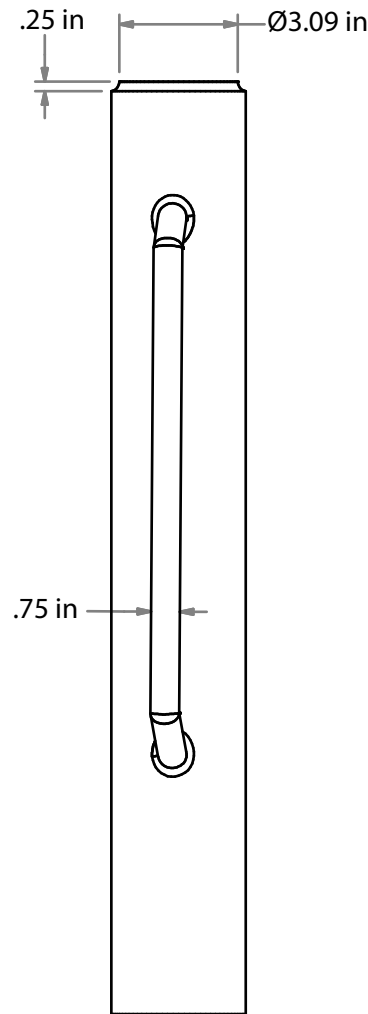
SPEC DRAWINGS

Basic Betty

POST POUNDER

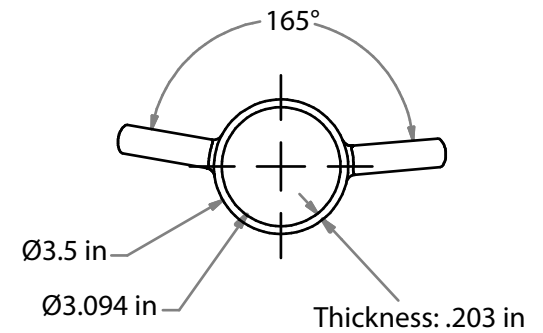


Front View



Side View

Bottom View



3.75OD w/0.25 wall thickness
Can fit 2.5in diameter pipe.
Not large enough for 3in diameter pipe.

*Weights 17lbs.
1 or 2 people required for operation*

