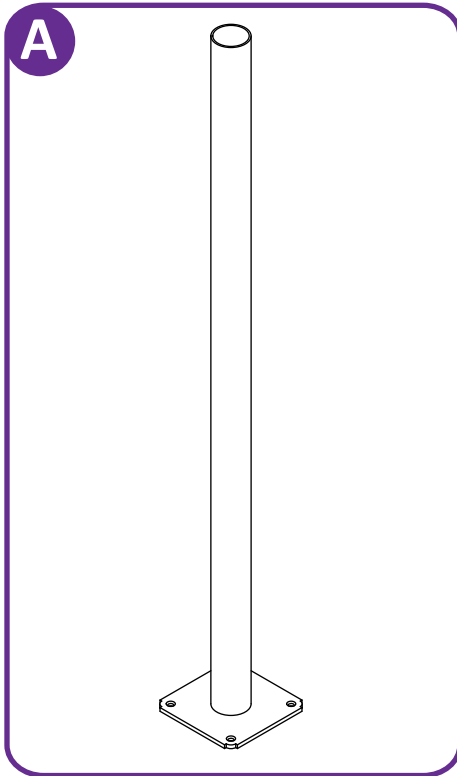
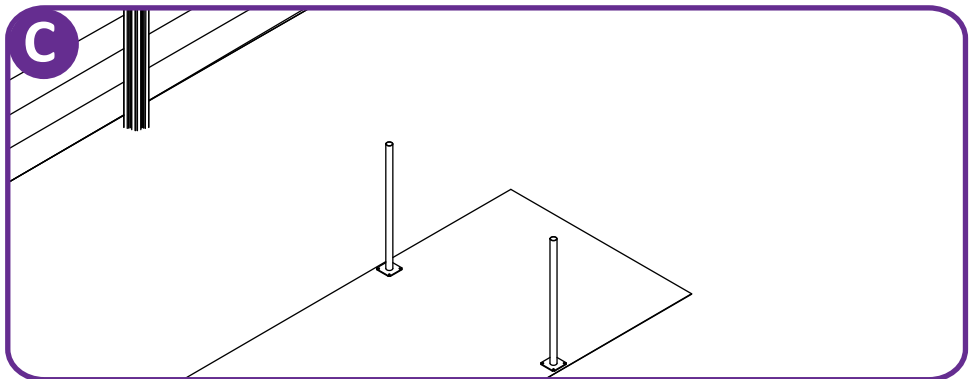
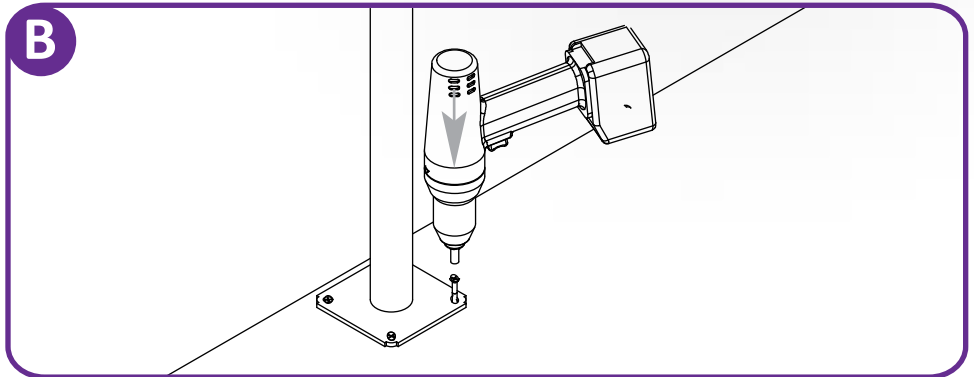


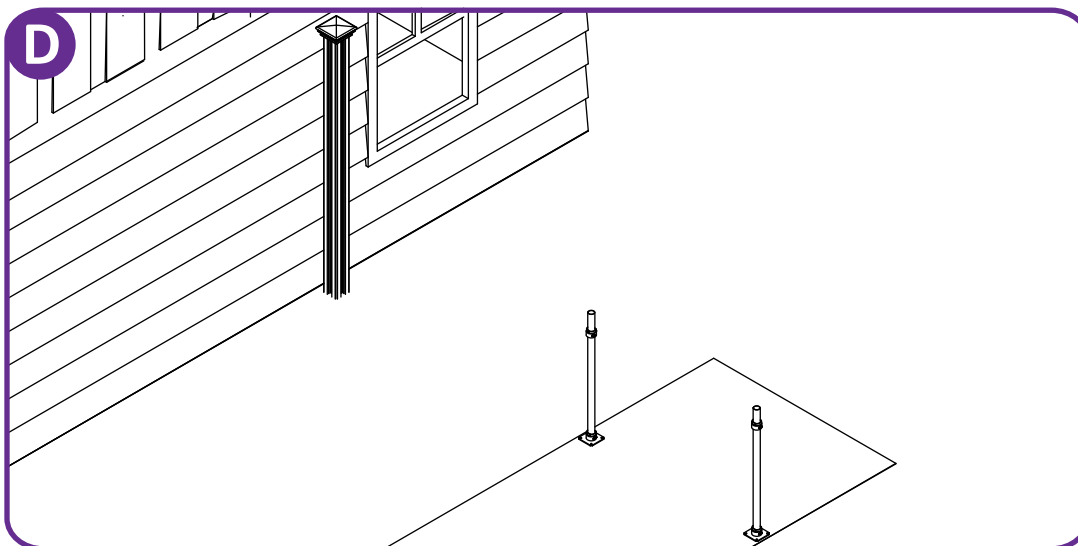
Mounting your posts to a concrete or wood surface:



Any WamBam vinyl fence can be mounted to a wood, or concrete surface using our surface mounts.



Use fasteners (purchase separately), and hammer drill (if concrete surface) to drill and mount.
See back for important information about fasteners.



Leveling donuts can be adjusted to compensate for uneven mounting surfaces.

See instructional video by scanning the QR code below or visit:

<http://bit.ly/SurfaceMountVideo>



Information About Fasteners

For Concrete

Please secure to concrete with 3/8 x 3" long wedge or sleeve anchors. Do not use Concrete or Blue Screws.

For Wood

If you have access under your wood deck, please mount additional 2x6 or 2x8 wood blocking between your floor joists directly underneath your deck surface. Drill holes through both your deck surface and the additional wood blocking and use 3/8 x 4" diameter bolts, washers and nuts to secure from the underside of deck. Do not use Wood Screws or Lag Bolts.

Please visit wambamfence.com to watch a video of this product being installed on concrete.

If you have any additional questions, please contact us at 1-877-778-5733.

*** If you are mounting to a concrete surface in a coastal saltwater area you will want to use galvanized washers as spacers between the bottom of the flange plate and the concrete. This will create airflow and keep the bottom plate from rusting even though it is galvanized.*

See instructional video by scanning the QR code below or visit: <http://bit.ly/SurfaceMountVideo>

