

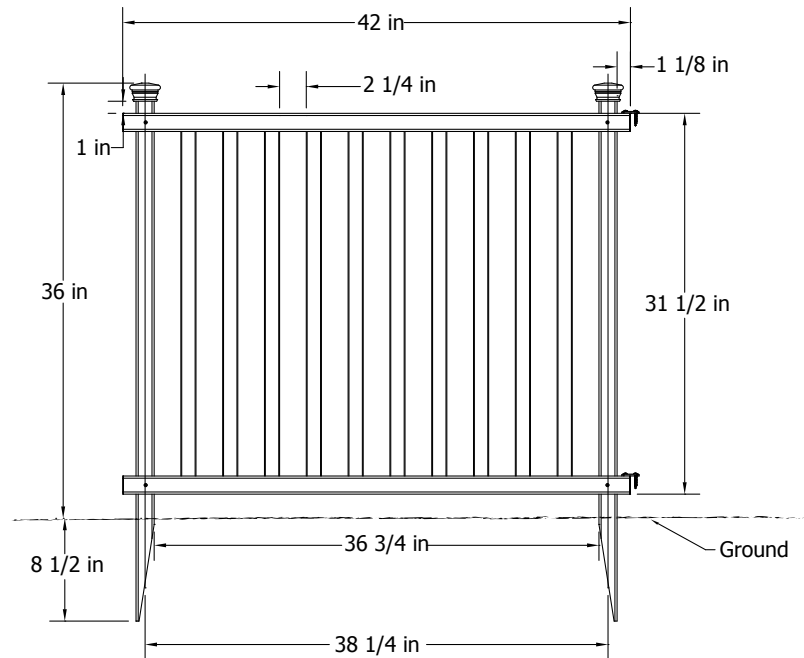
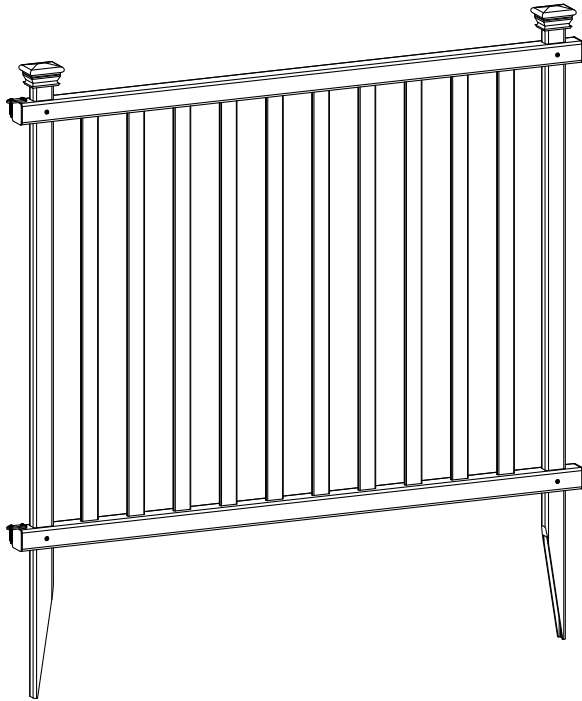
# ASSEMBLY INSTRUCTIONS

## Baskenridge Vinyl Fence Kit (42"W x 36"H)



**ZIPPITY**  
Easy Does It!

**THIS FENCE IS DESIGNED  
FOR SEMI-PERMANENT  
APPLICATIONS**



Please read through before starting assembly.

**IMPORTANT: CHECK THE INSIDE OF THE LARGER PIECES IN YOUR BOX FOR OTHER MATERIALS PACKED INSIDE.**

### Check Box for These Contents

In the event of missing or defective parts please call our customer service department at **1 877 234 6196** (Mon. to Fri. 8:00 AM to 4:00 PM EST).

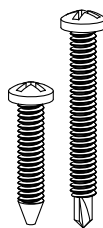
1. Post Caps (4)
2. Top & Bottom Rails (4) - 1 1/2" x 1 1/2" x 41 7/8"
3. Posts (4) - 7/8" x 1 1/2" x 44"
4. Spindles (20) 1/4" x 1 1/2" x 31 1/4"
5. Joiner Clips (4)
6. 3/4" Self-Auguring Stainless Steel Screw (16) (**Bag A**)
7. 1" Self-Tapping Stainless Steel Screw (8) (**Bag B**)
8. End Caps (8) (4 are installed, 4 are loose)

### Tools You Will Need

- Cordless Drill
- Level
- Hammer



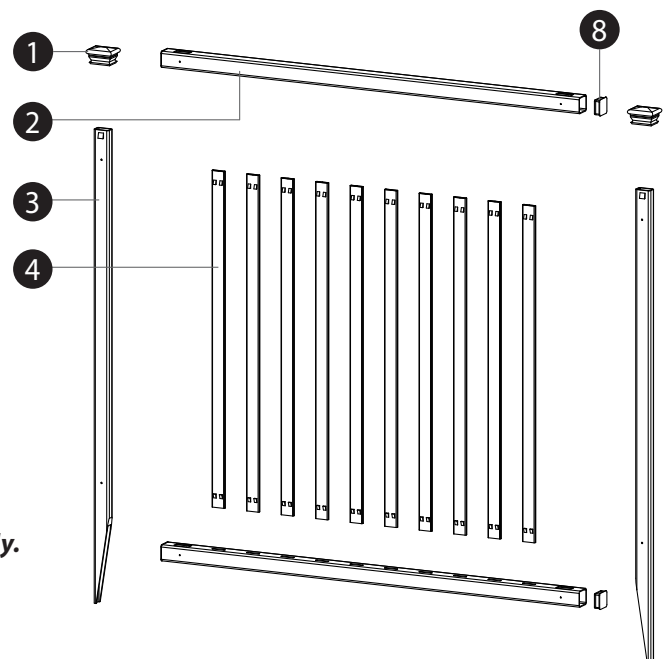
5



6

7

Not to Scale



### General Information

- Read Instructions through carefully before beginning assembly.
- When assembling components, place on a non-abrasive surface (i.e. shipping box) to avoid scratching.
- We recommend an area approx 5'x 8' for unobstructed assembling.
- You should not need to use excessive force when assembling components.

# STEP ONE

1

Pressure fit an end cap to the end of the horizontal rails. There will be a total of four end caps and four rails.

2

Slide the top rail up from the bottom of a post until the pre-drilled hole on the rail aligns with the pre-drilled hole at the top of the post.

**Tip!**

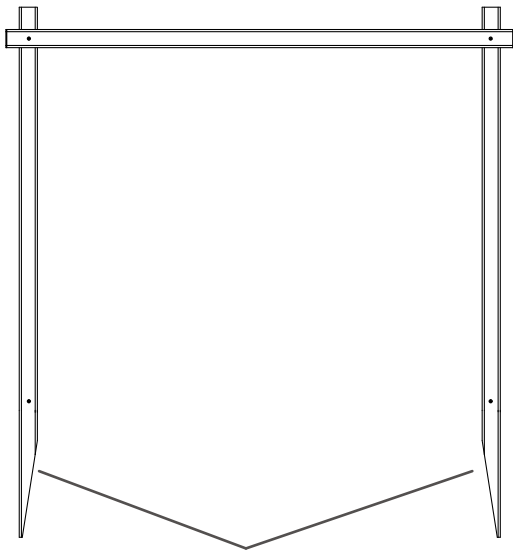
**Shine an LED light from a smart phone or flashlight down the end of the posts to help identify alignment of pre-drilled holes if necessary.**

3

Do the same with the other post.

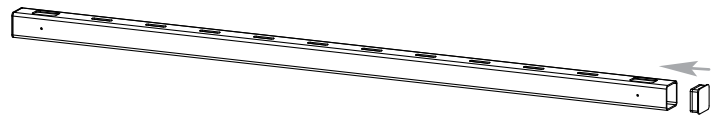
4

Secure the rail to both sides of the posts using 3/4" screws as illustrated.



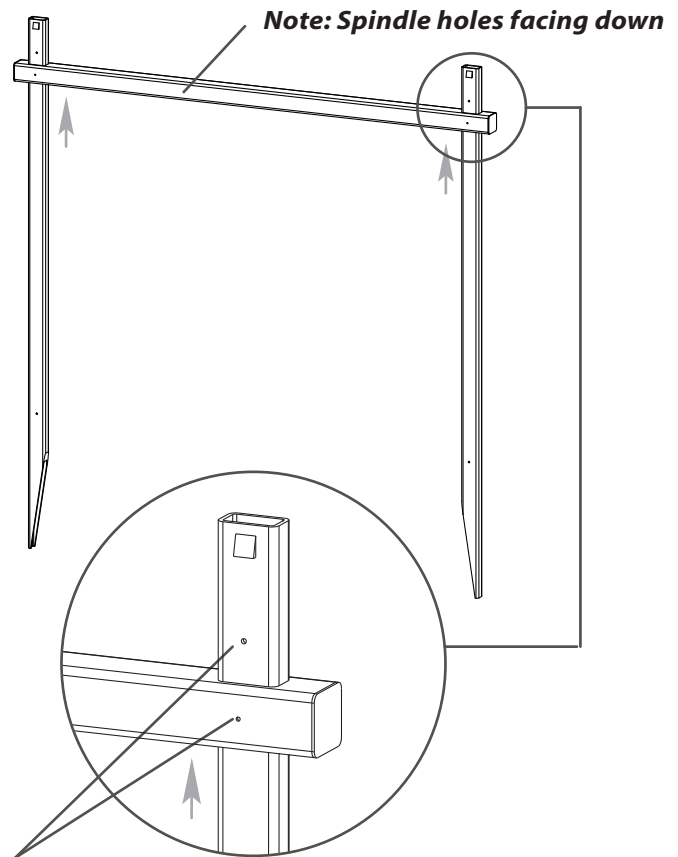
**Note: Orientate the bottom of Posts as Illustrated**

1



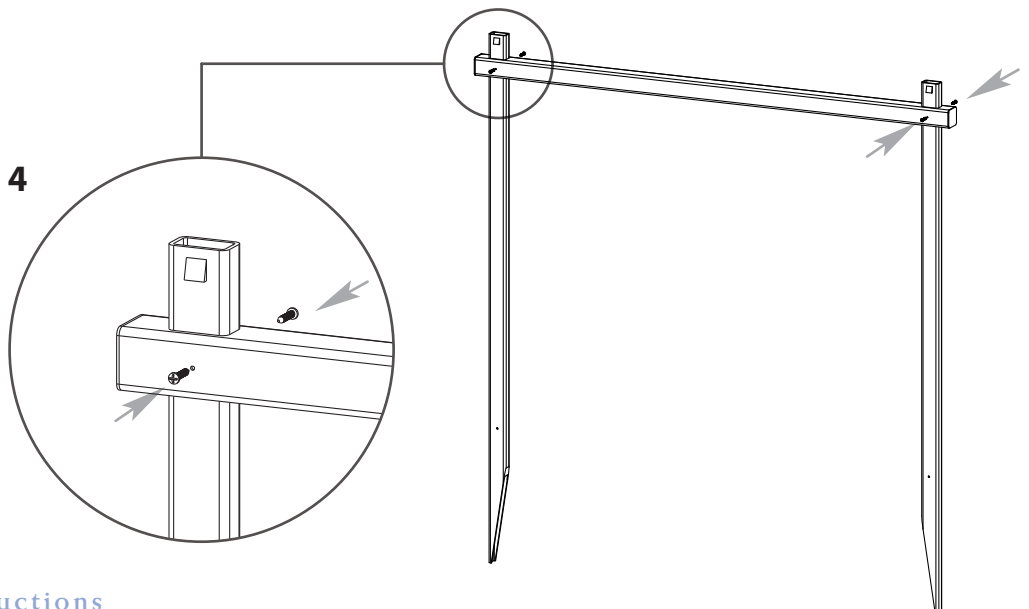
x4

2&3



**Note: Align Holes**

4



**ZIPPITY**  
*Easy Does It!*

## STEP TWO

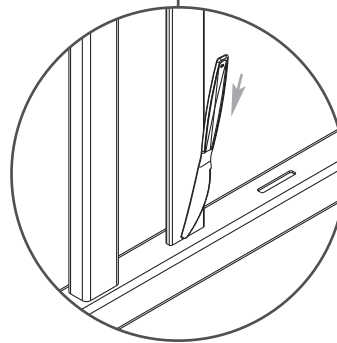
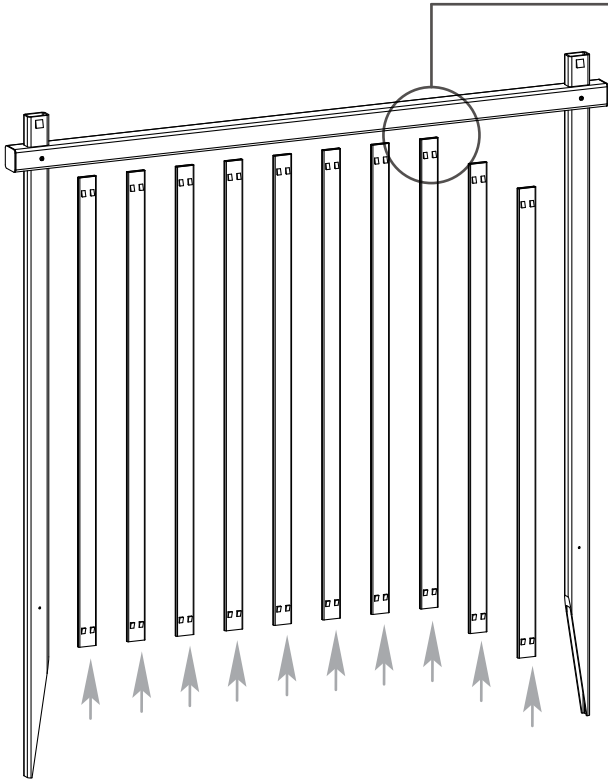
1

Insert the spindles into the routed holes as illustrated.  
Note: the tabs on the end of the spindles are intended to go into the rail to lock spindles into place.

2

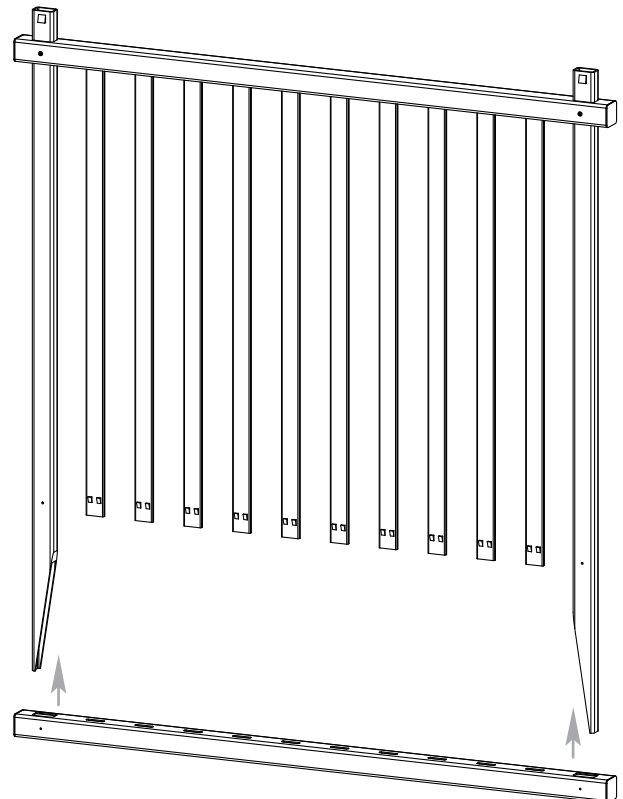
Push the posts and spindles down into the bottom rail as illustrated.

1



**Note: Once inserted, the spindles will lock into place. To remove the spindle(s), gently insert a butter knife along the picket direction as shown and slowly pull up the spindle(s).**

2

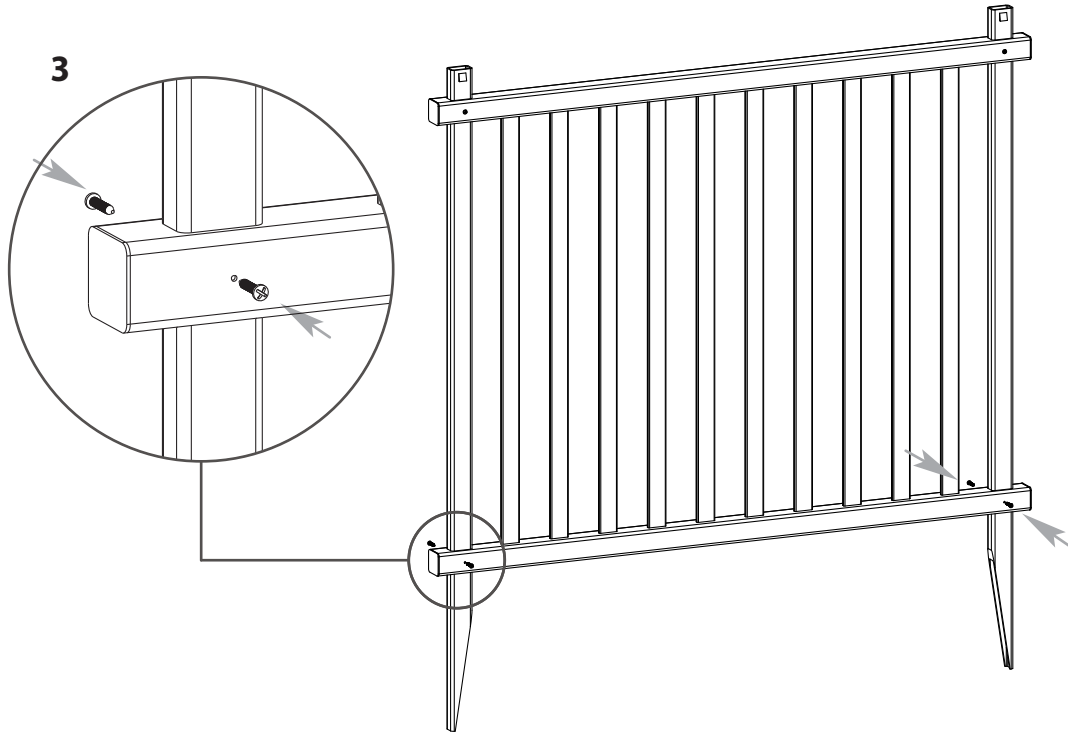


**ZIPPITY**  
Easy Does It!

## STEP TWO

**3**

Secure the rail to the posts with 3/4" screws on both sides of the rail as illustrated.



## STEP THREE

### Install fence into Ground

**1**

Move the fence to its final location and identify the location of posts.

**2**

Loosen the top 8" to 10" of the ground using a claw hammer and screw driver (or something equivalent) as illustrated.

**3**

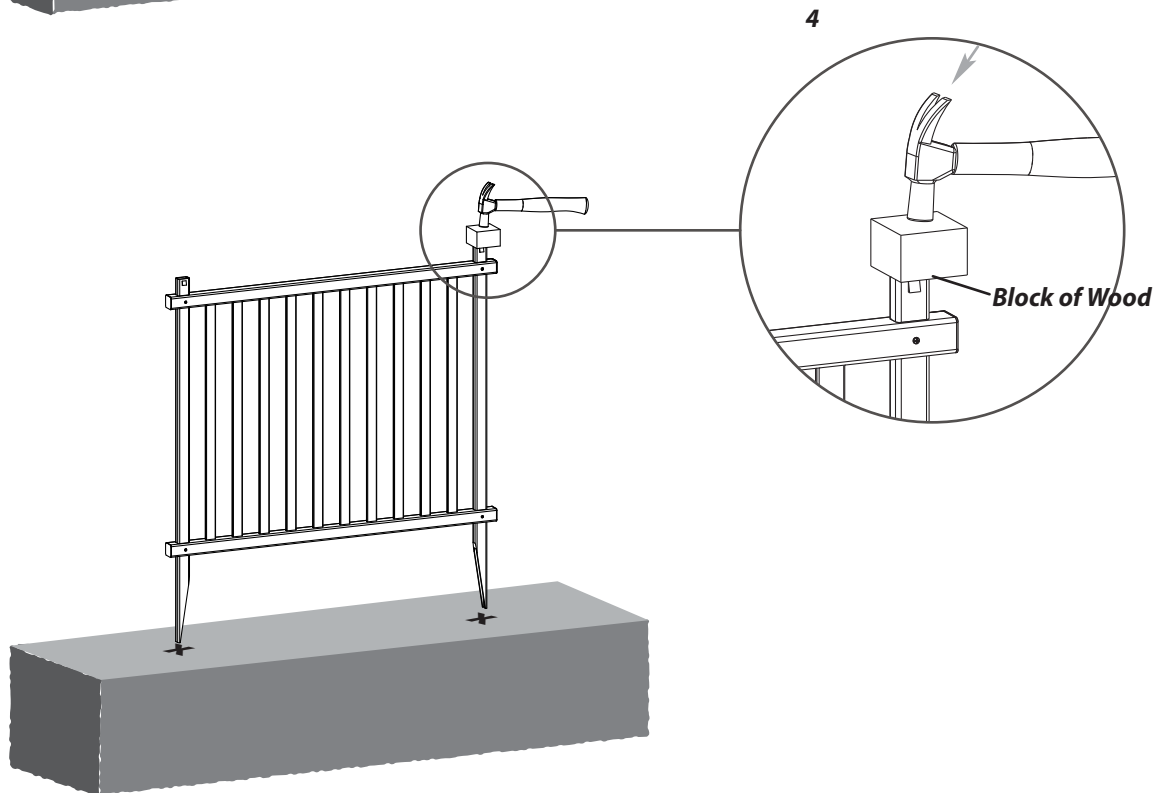
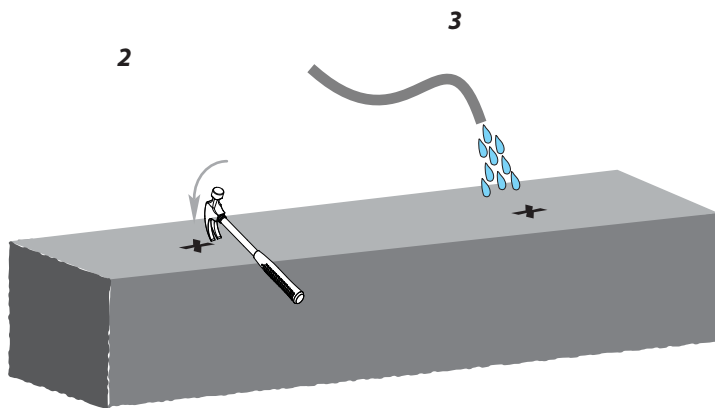
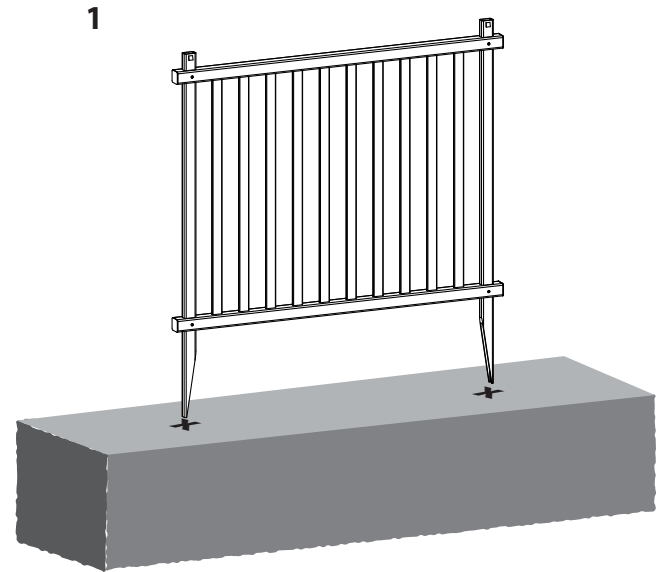
Add water to loosen soil.

**4**

Use a block of wood to protect the top of the posts and gently hammer each post into the ground equally.



**ZIPPITY**  
*Easy Does It!*



## STEP THREE

### OPTIONS IN HARD GROUND

If your ground is too hard, or you have more than three or four panels to install, please consider:

**1**

Purchase a 1 3/4" diameter auger bit (commonly used for planting tulips) as illustrated (\$15-\$20 on Amazon.com)

**2**

Drill a hole in the ground at the desired location only about 8" to 10" deep.

**3**

Fill the holes with water as illustrated.

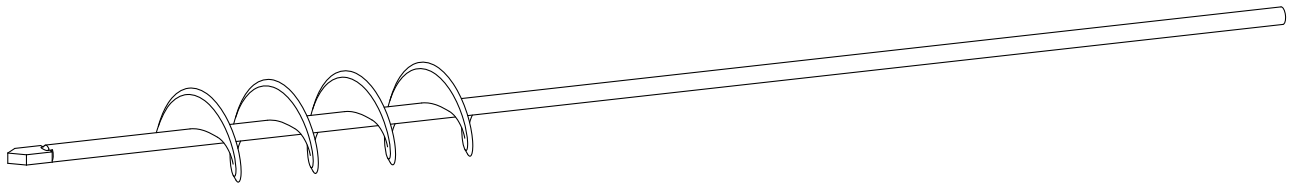
**4**

Push fence posts into the holes as illustrated.

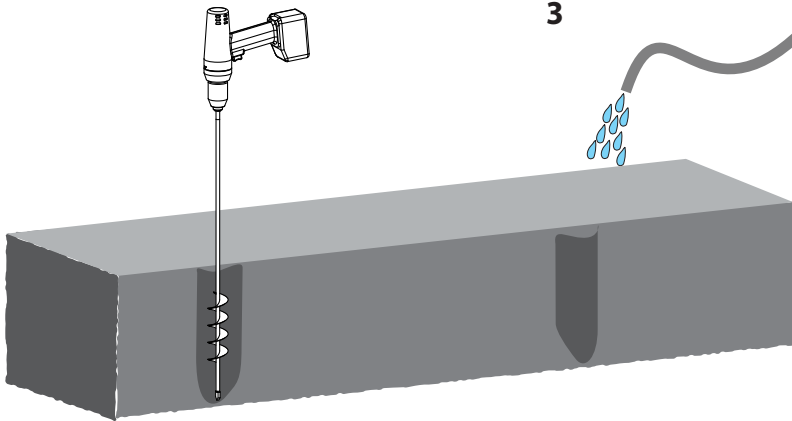


**ZIPPITY**  
*Easy Does It!*

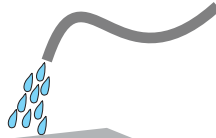
**1**



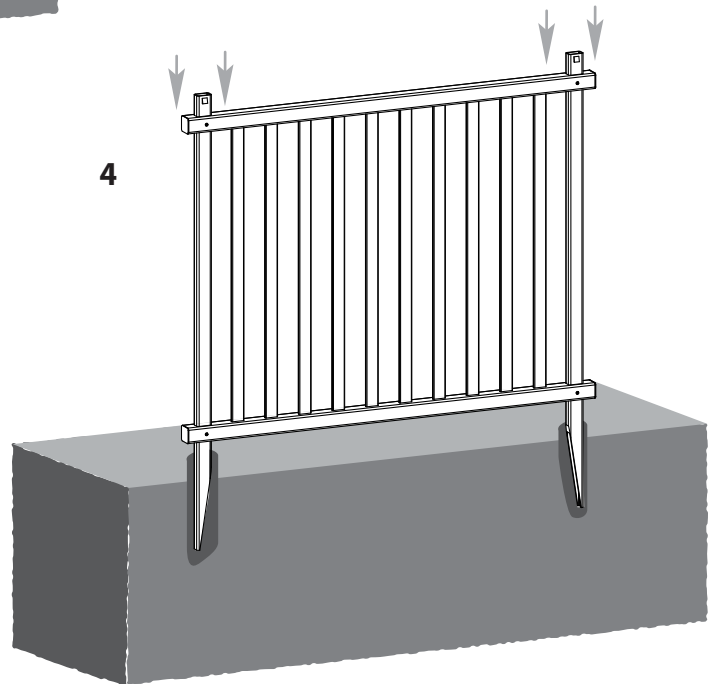
**2**



**3**



**4**

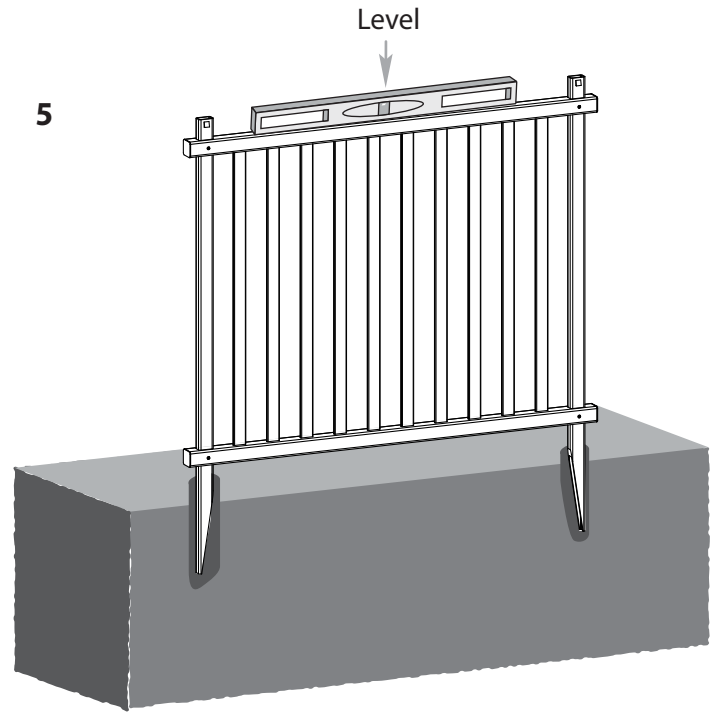


## STEP THREE

### Install fence into Ground - Continued

5

Level the assembled unit and backfill and compact dirt around the base of each post to strengthen the unit.



## STEP FOUR

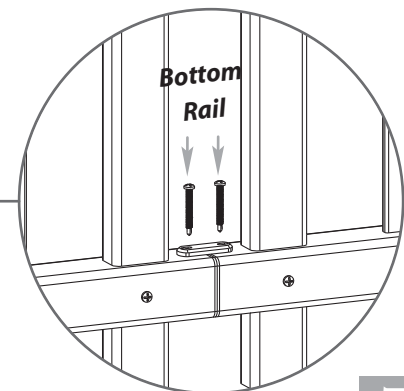
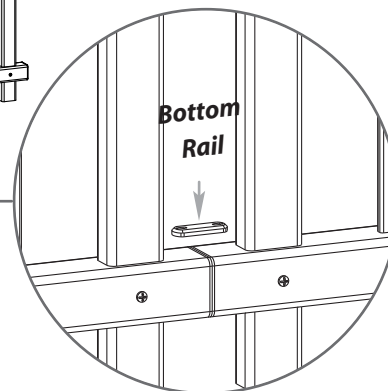
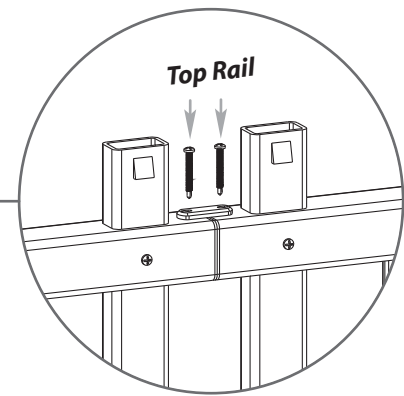
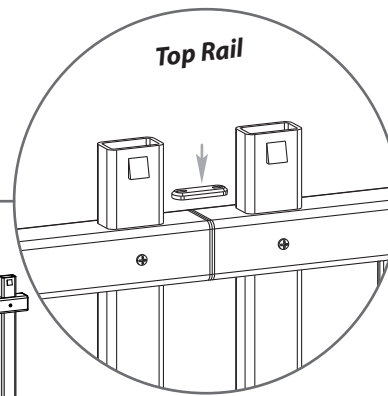
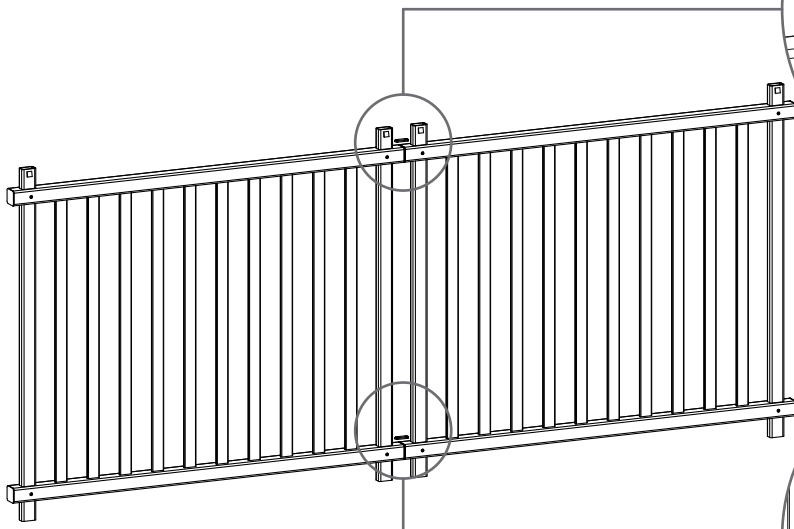
### Fasten Joiner Clips

1

Fasten joiner clips by screwing into place on the top of the top rail and top of the bottom rail as illustrated. Use the 1" self-tapping screws.

2

Fasten the opposite end of the joiner clip as illustrated.

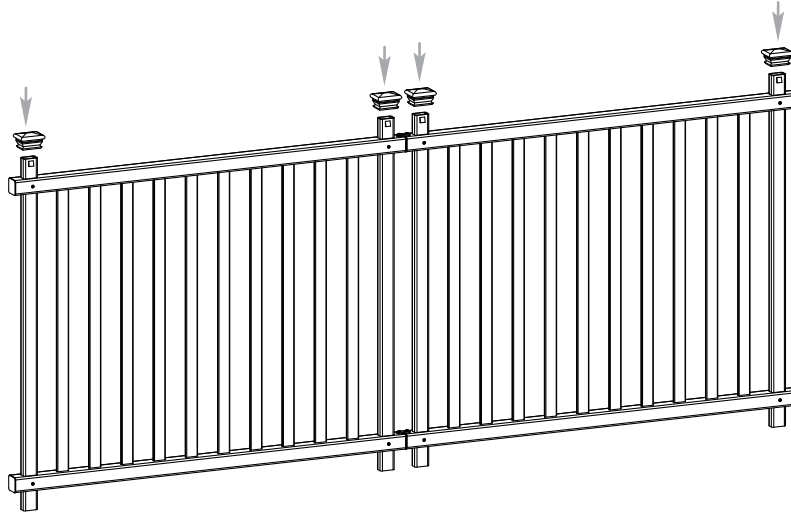


## STEP FIVE

### *Post Caps Installation*

1

Finish the assembly by pushing the post caps down over the top of posts as illustrated. The post caps will lock into place.



**ZIPPITY**  
*Easy Does It!*

## OPTIONAL

### *Angled Installation*

The fence panels can also be installed on an angle as shown.

