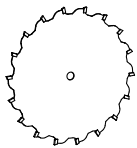
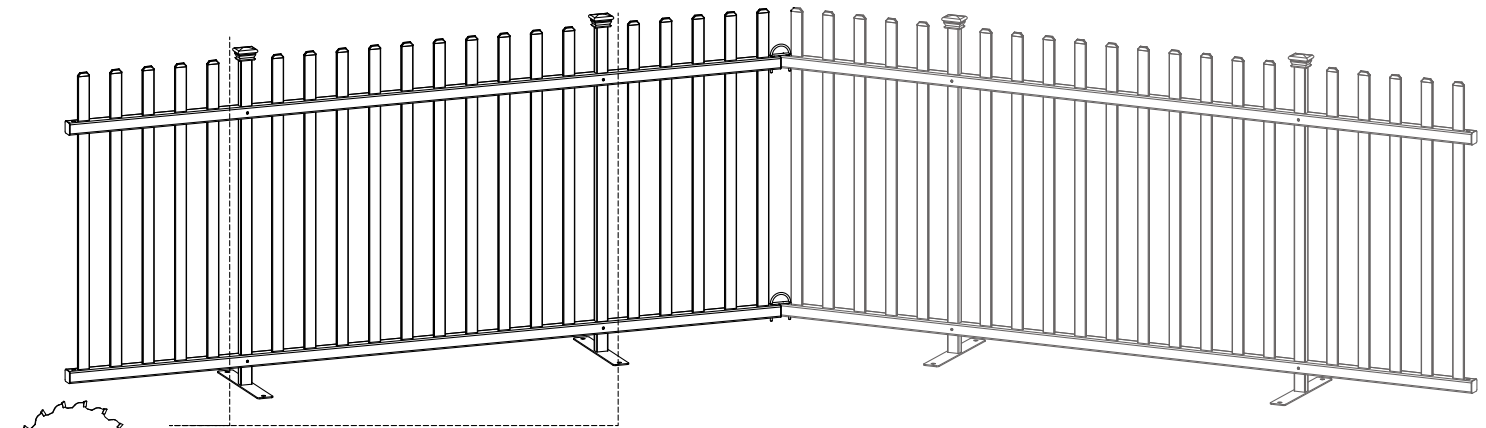
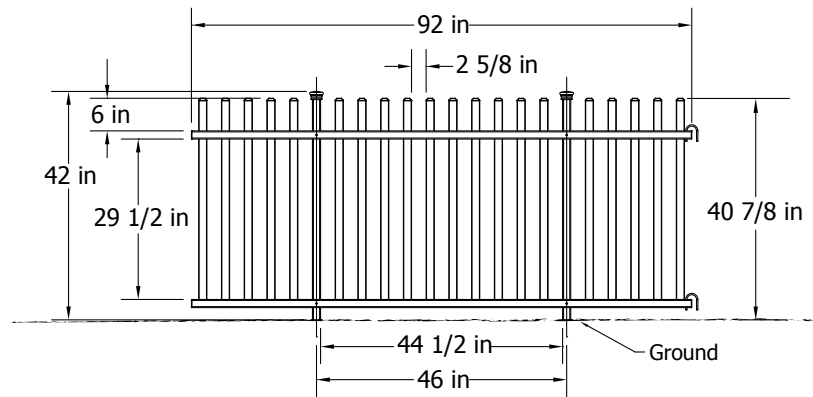
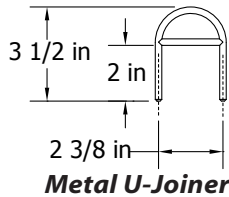
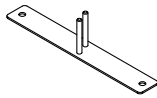
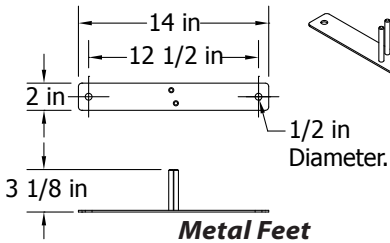


# ASSEMBLY INSTRUCTIONS

## Zippity Lightweight Portable Vinyl Fence Kit (42"H x 92"W)



This fence can easily be trimmed down horizontally to fit your custom space. Use a fine toothed circular saw or hack saw.



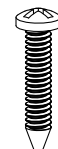
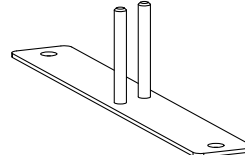
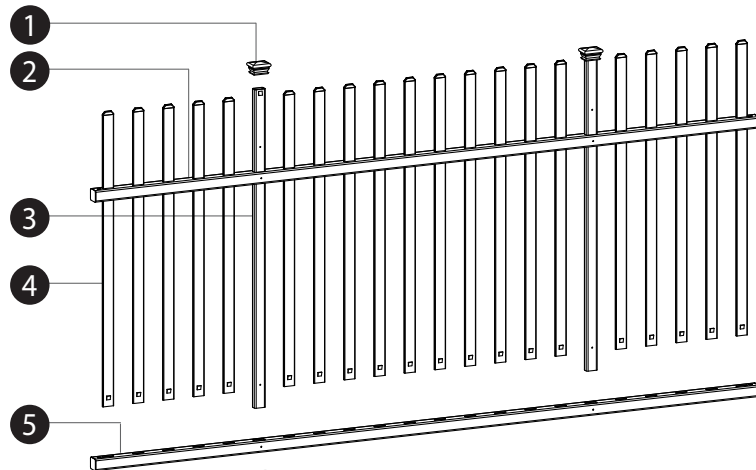
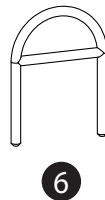
Please read through before starting assembly.

**IMPORTANT: CHECK THE INSIDE OF THE LARGER PIECES IN YOUR BOX FOR OTHER MATERIALS PACKED INSIDE.**

### Check Box for These Contents

In the event of missing or defective parts please call our customer service department at **1 877 234 6196** (Mon. to Fri. 8:00 AM to 4:00 PM EST).

1. Post Caps (2)
2. Top Rail (1) - 1 1/2" x 1 1/2" x 91 7/8"
3. Posts (2) - 7/8" x 1 1/2" x 41 1/2"
4. Pickets (20) - 1/4" x 1 1/2" x 38 3/8"
5. Bottom Rail (1) - 1 1/2" x 1 1/2" x 91 7/8"
6. Metal U-Joiner (2)
7. Metal Feet (2)
8. 3/4" Self-Auguring Stainless Steel Screw (8)



### Tools You Will Need

- Cordless Drill

### General Information

- Read Instructions through carefully before beginning assembly.
- When assembling components, place on a non-abrasive surface (i.e. shipping box) to avoid scratching.
- We recommend an area approx 5' x 8' for unobstructed assembling.
- You should not need to use excessive force when assembling components.

# STEP ONE

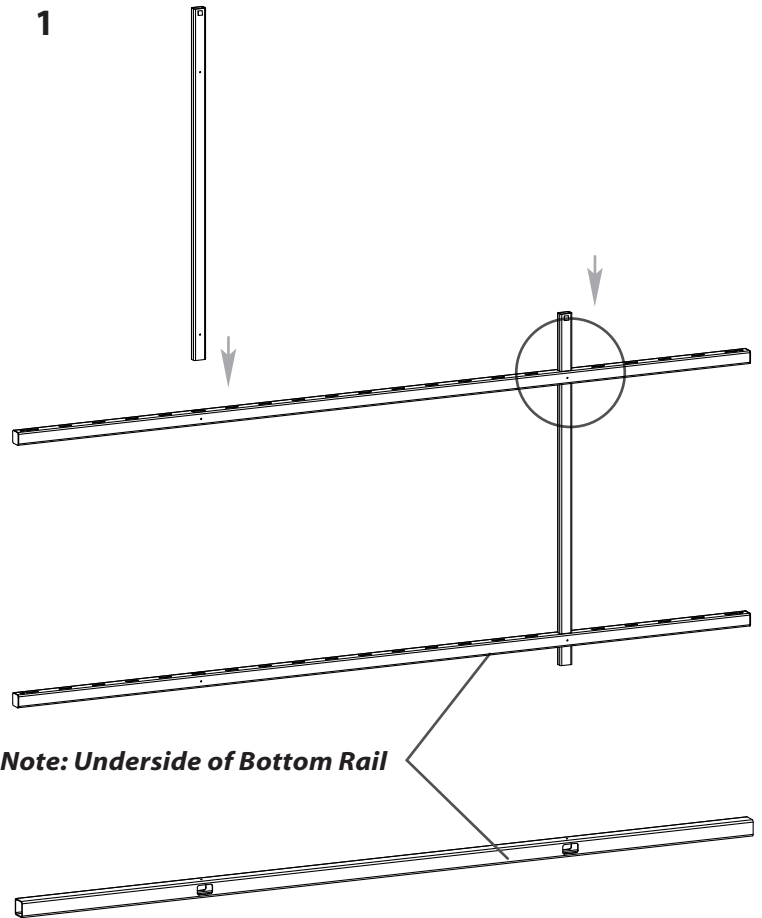
**1**

Position the two rails as illustrated and slide the two posts thru the large routed holes in the top and bottom rails until the predrilled holes in both rails are aligned with the predrilled holes in both posts.

Note the difference between the top and bottom rails.

**2**

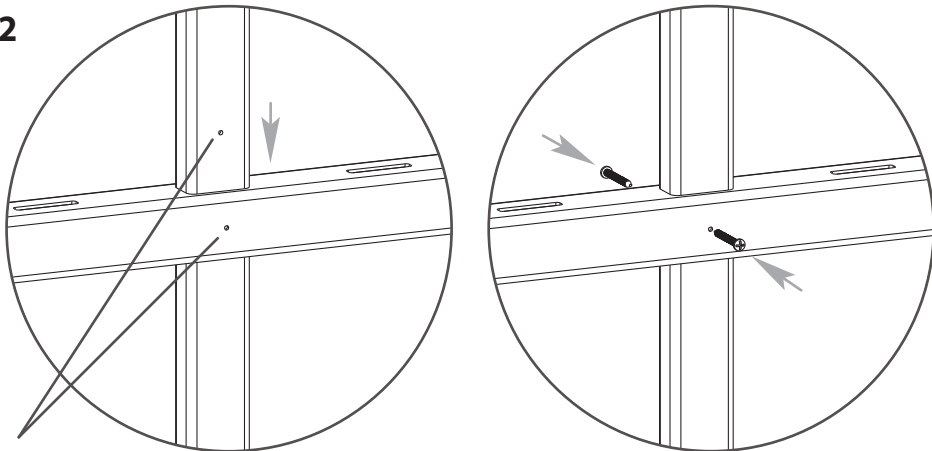
Secure the rails to the post with screws on both sides of the rails as illustrated.



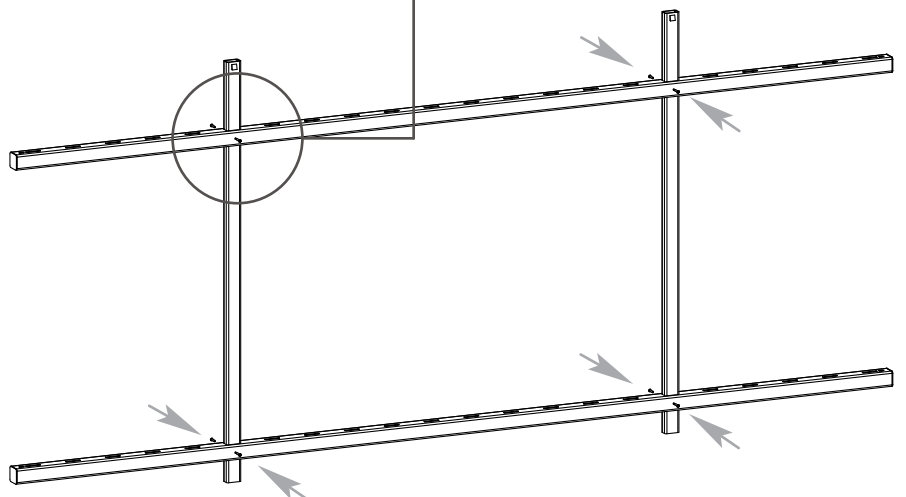
**Note: Underside of Bottom Rail**

**Bottom rail only has picket holes on one side.**

**2**



**Note: Align Holes**



**ZIPPITY**  
*Easy Does It!*

## STEP TWO

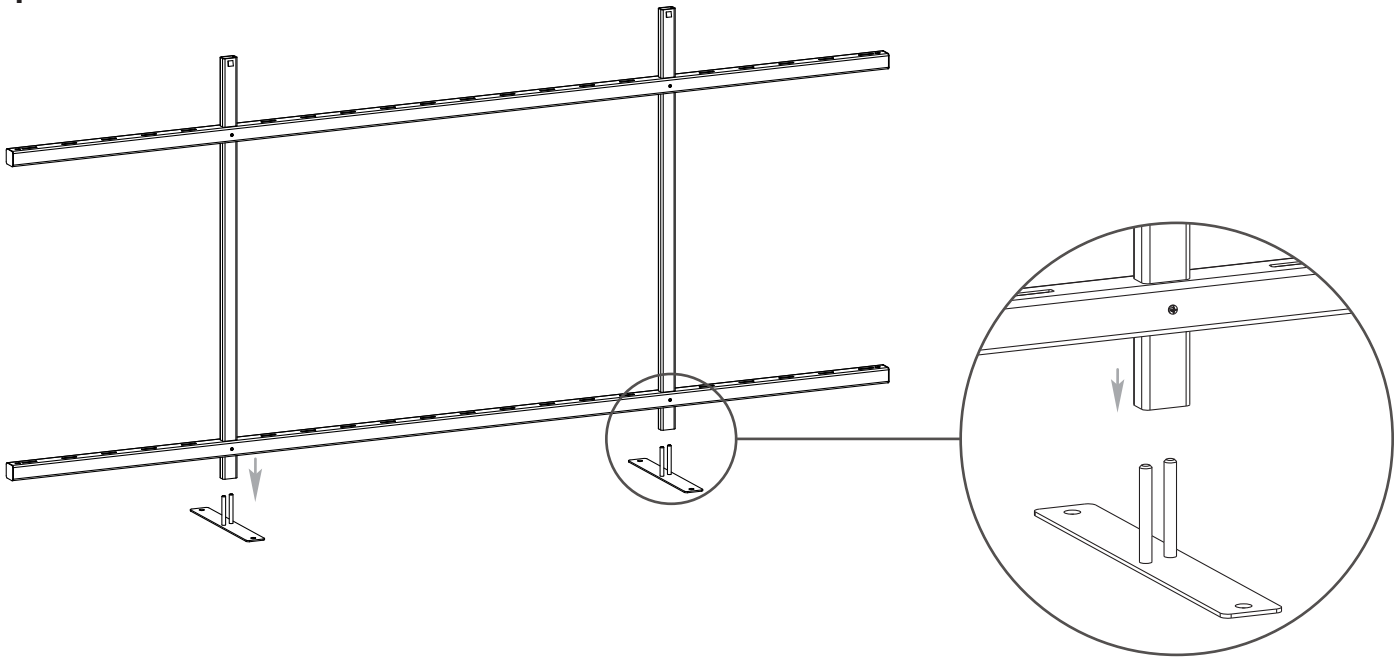
### Install Fence

1

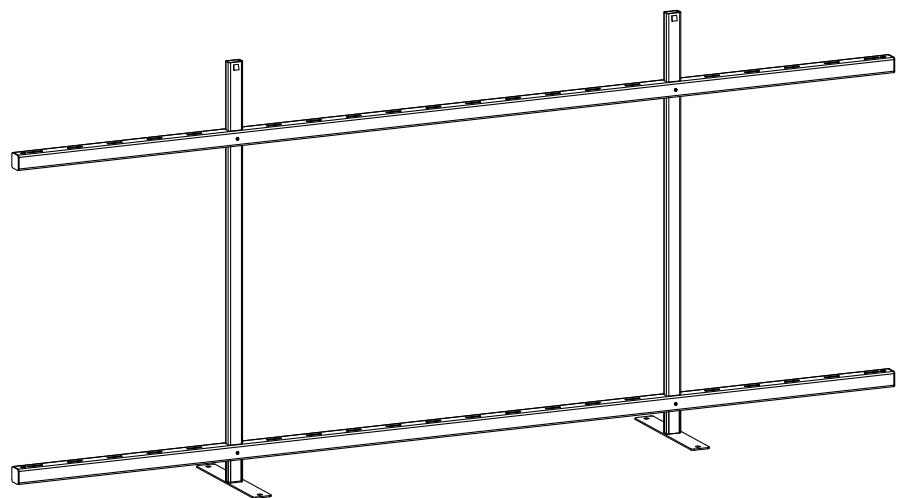
Stand the fence assembly up as shown and align and insert the two posts into the steel feet as shown.



1



**Note:** You may need to squeeze the metal prongs slightly together for them to slip inside the posts.



## STEP THREE

**1**

Please insert each picket down thru the top rail and into the bottom rail.

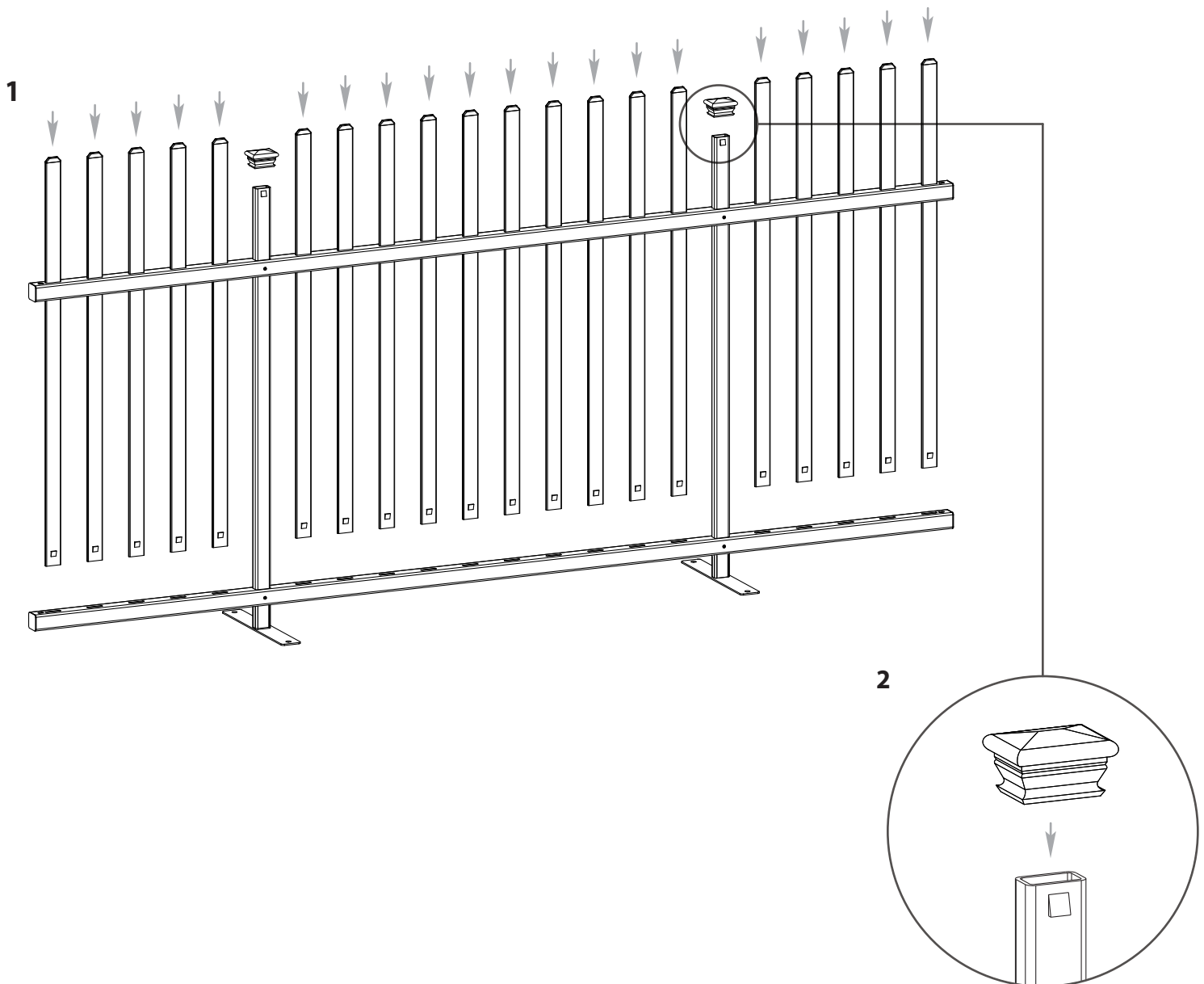
Note: The tabs on the bottom of the pickets are intended to go into the bottom rail to lock picket into place.

**2**

Finish the assembly by pushing the post caps down over the top of posts as illustrated. The post caps will lock into place.



**ZIPPITY**  
*Easy Does It!*



# STEP THREE

## Multiple Fence Panels Installation

1

For multiple fence panels installation, bring the two ends close to each other and simply insert the U-Joiners through the pre-drilled holes on both top and bottom rails as shown.



**ZIPPITY**  
*Easy Does It!*

