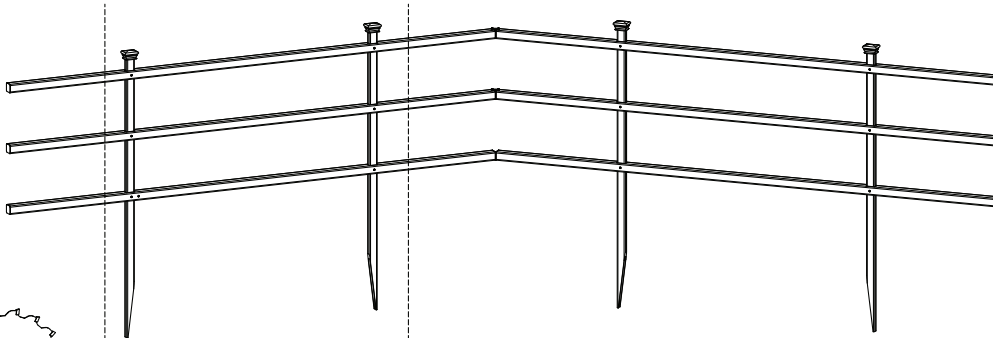


ASSEMBLY INSTRUCTIONS

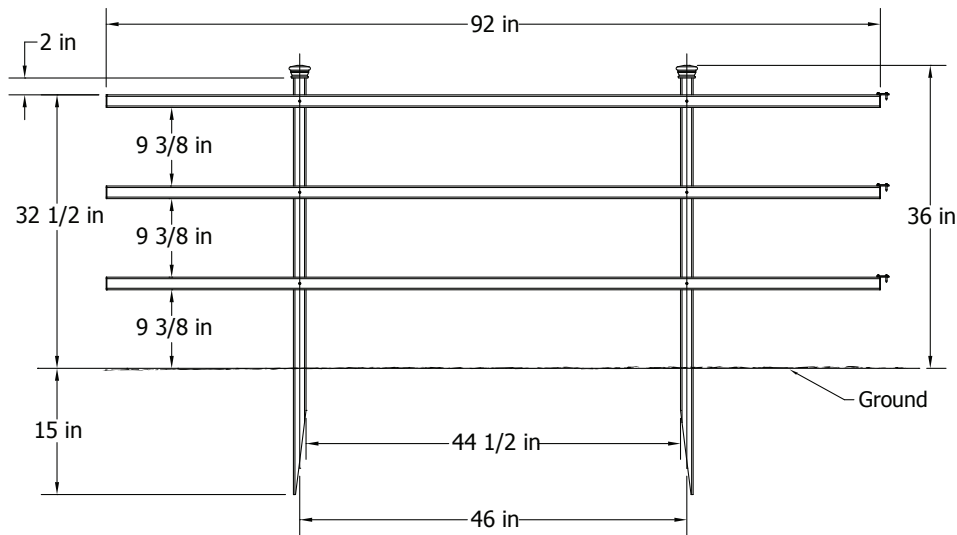
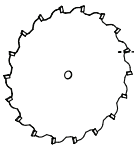


Westchester 3-Rail Vinyl Fence Kit 2-Pack (36"H x 92"W)



THIS FENCE IS DESIGNED FOR SEMI-PERMANENT APPLICATIONS (No Concrete Necessary)

This fence can easily be trimmed down horizontally to fit your custom space. Use a fine toothed circular saw or hack saw.



Please read through before starting assembly.

IMPORTANT: CHECK THE INSIDE OF THE LARGER PIECES IN YOUR BOX FOR OTHER MATERIALS PACKED INSIDE.

Check Box for These Contents

In the event of missing or defective parts please call our customer service department at **1 877 234 6196** (Mon. to Fri. 8:00 AM to 4:00 PM EST).

1. Post Caps (4)
2. Rails (6) - 1 1/2" x 1 1/2" x 92"
3. Posts (4) - 7/8" x 1 1/2" x 57 1/2"
4. Joiner Clips (6)
5. 3/4" Self-Auguring Stainless Steel Screw (36)

Tools You Will Need

- Cordless Drill
- Level
- Hammer

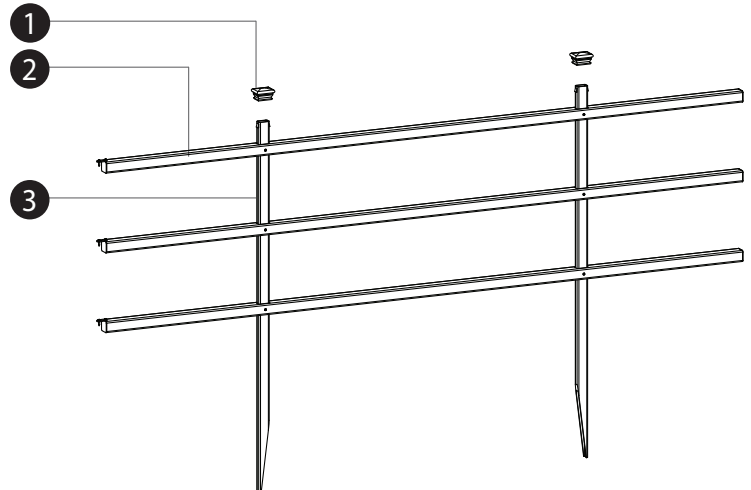


4



5

Not to Scale



General Information

- **Read Instructions through carefully before beginning assembly.**
- When assembling components, place on a non-abrasive surface (i.e. shipping box) to avoid scratching.
- We recommend an area approx 5'x 8' for unobstructed assembling.
- You should not need to use excessive force when assembling components.

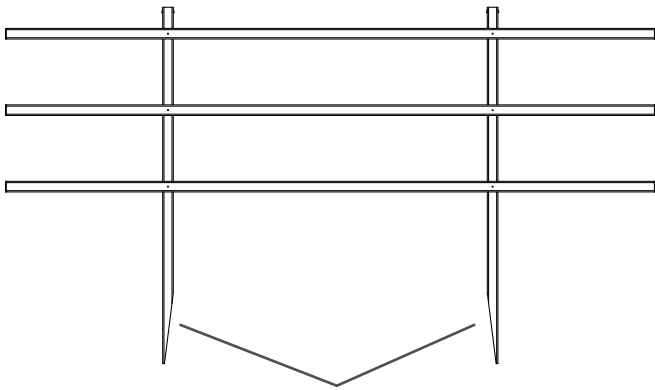
STEP ONE

1

Position the rails as illustrated and slide the two posts down thru the large routed holes in the rails until the predrilled holes in all three rails are aligned with the pre-drilled holes in both posts.

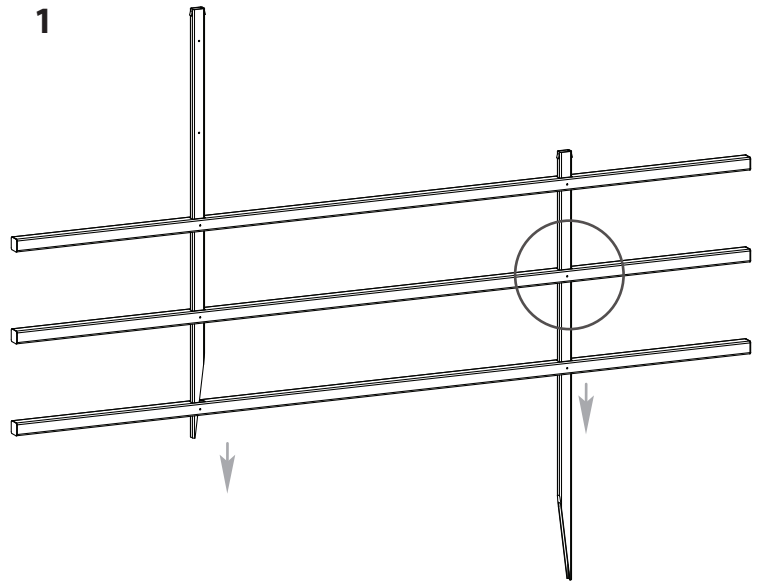
Tip!

Shine an LED light from smart phone or flashlight down the end of the posts to help identify alignment of pre-drilled holes if necessary.



Note: Orientate the bottom of Posts as Illustrated

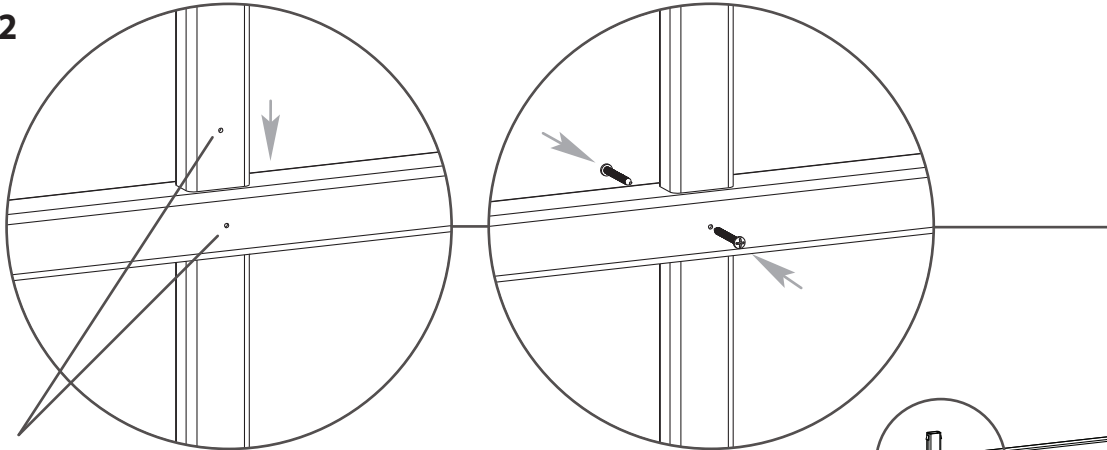
1



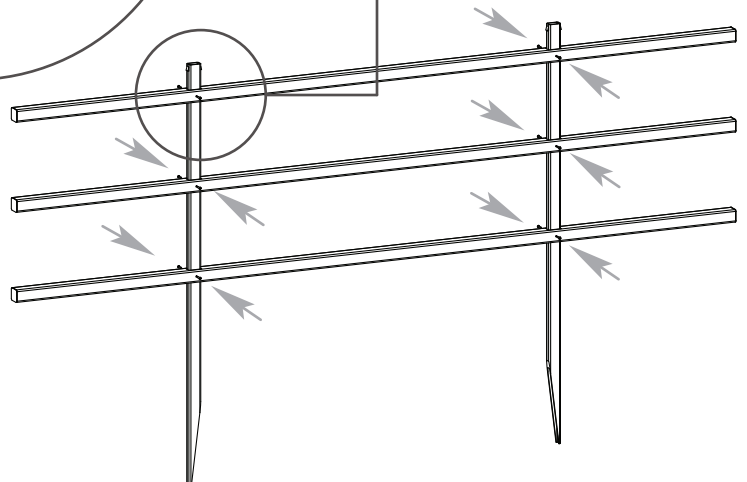
2

Secure the rails to the post with screws on both sides of the rails as illustrated.

2



Note: Align Holes



ZIPPITY
Easy Does It!

STEP TWO

Install fence into Ground

1

Move the fence to its final location and identify the location of posts.

2

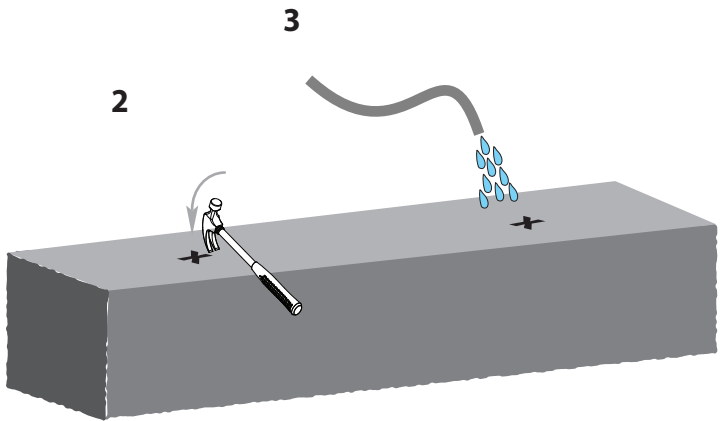
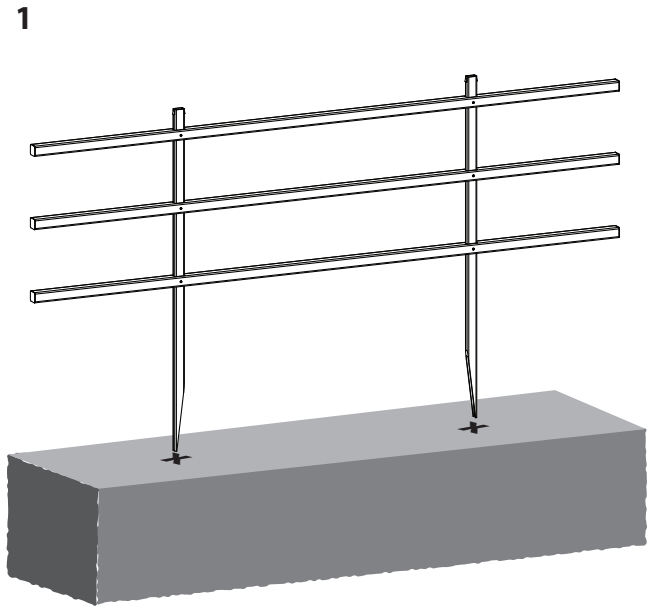
Loosen the top 10" to 12" of the ground using a claw hammer and screw driver (or something equivalent) as illustrated.

3

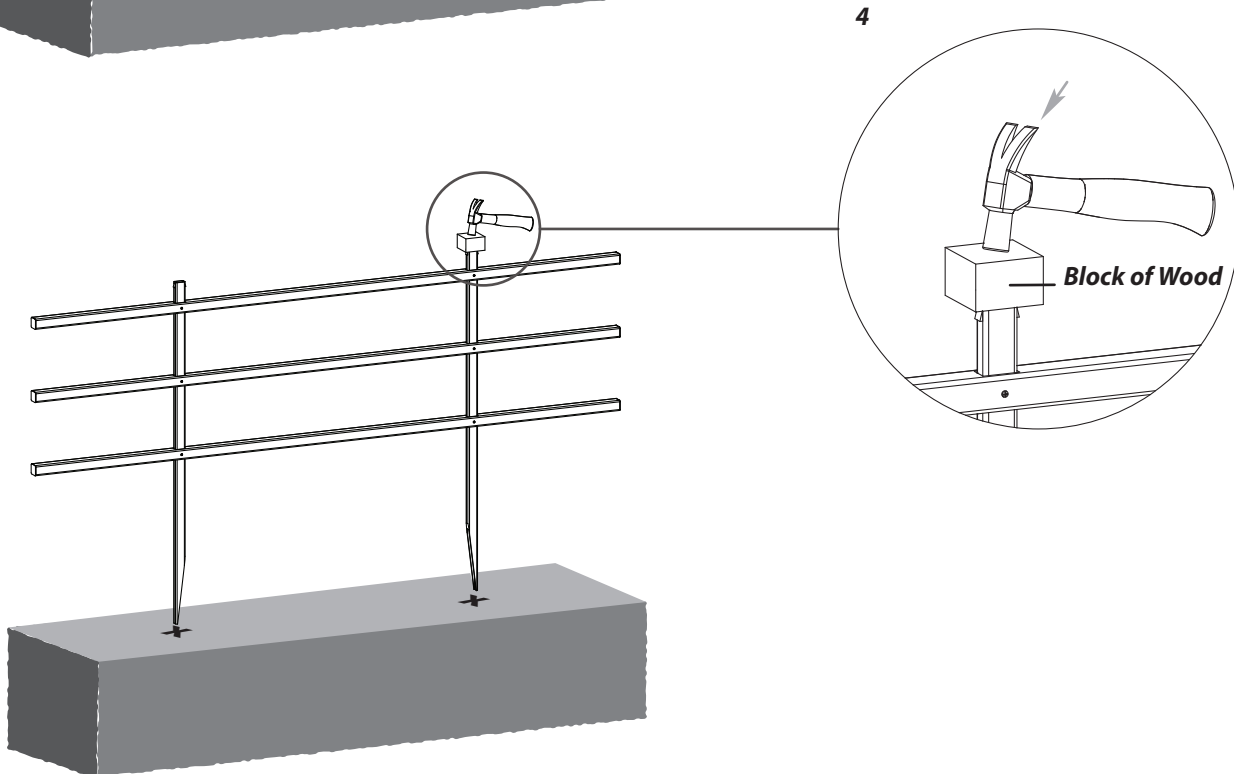
Add water to loosen soil.

4

Use a block of wood to protect the top of post and gently hammer each post into the ground equally.



ZIPPITY
Easy Does It!



STEP TWO

OPTIONS IN HARD GROUND

If your ground is too hard, or you have more than 3 or 4 panels to install, please consider:

1

Purchase a 1 3/4" diameter auger bit (commonly used for planting tulips) as illustrated (\$15-\$20 on Amazon.com)

2

Drill a hole in the ground at the desired location only about 8" to 12" deep.

3

Fill the holes with water as illustrated.

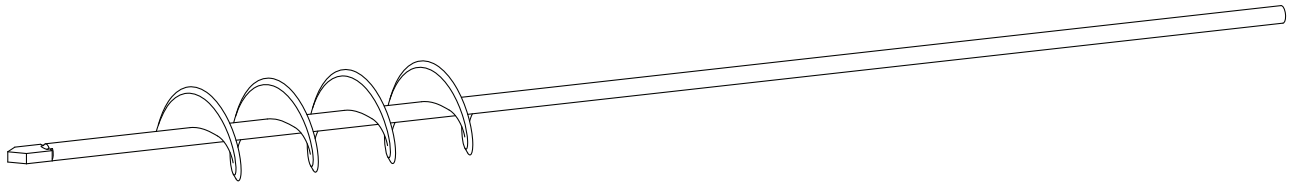
4

Push fence posts into the holes as illustrated.

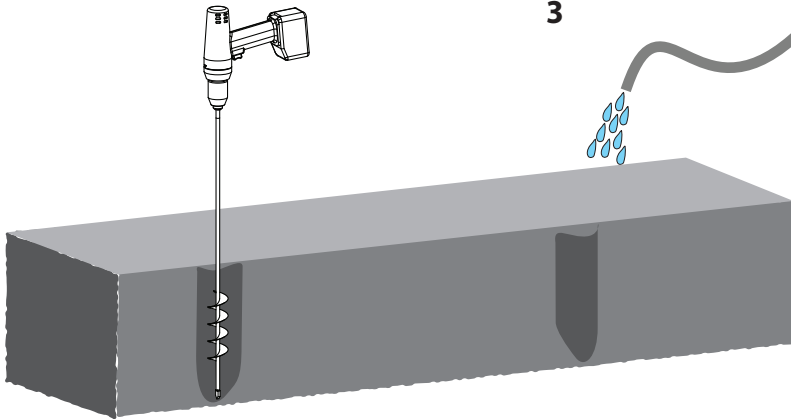


ZIPPITY
Easy Does It!

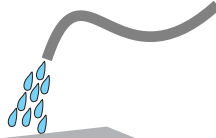
1



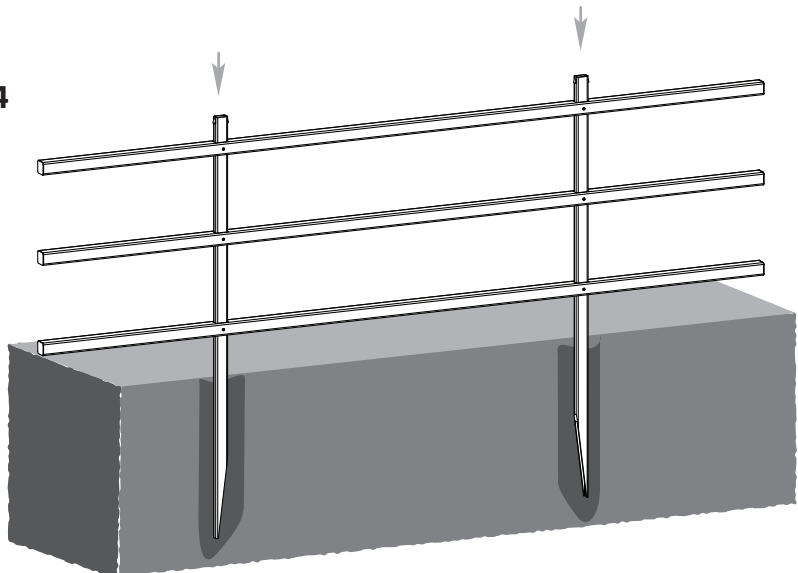
2



3



4



STEP TWO

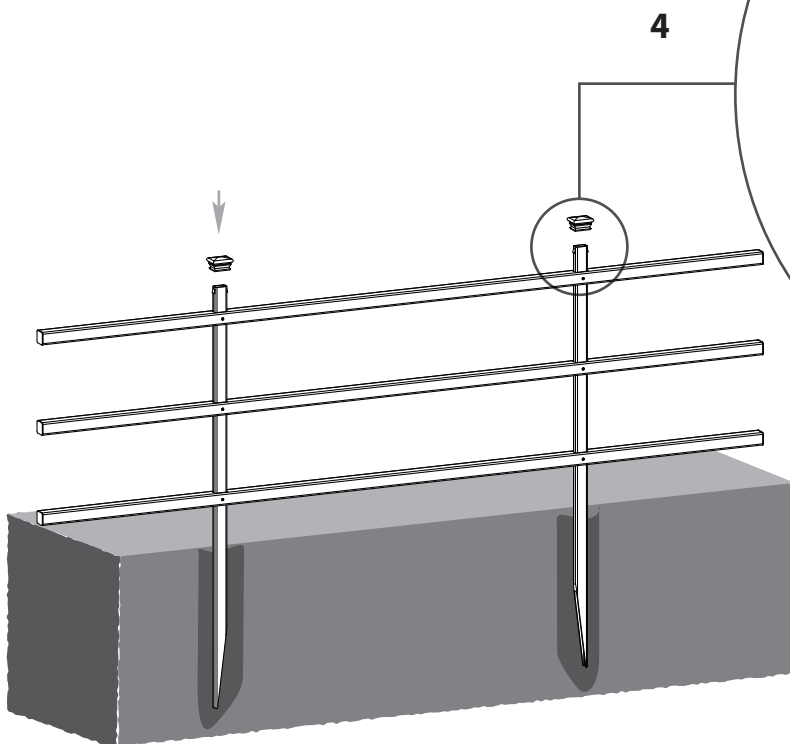
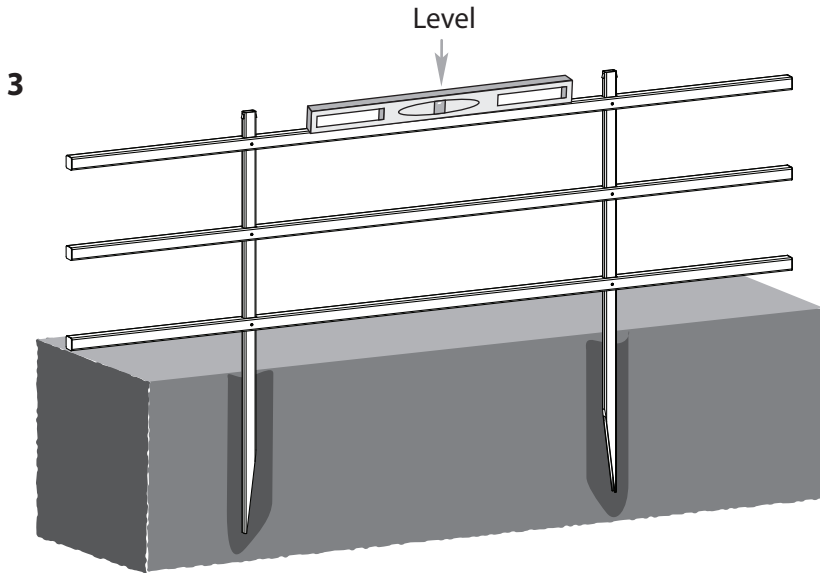
Install fence into Ground - Continued

3

Level the assembled unit and backfill and compact dirt around the base of each post to strengthen the unit.

4

Finish the assembly by pushing the post caps down over the top of posts as illustrated. The post caps will lock into place.



STEP FOUR

Fasten Joiner Clips

1

Fasten joiner clips by screwing into place on the top of the top rail and top of the bottom rail as illustrated. Screws are self-drilling.

2

Fasten the opposite end of the joiner clip as illustrated.



ZIPPITY
Easy Does It!

