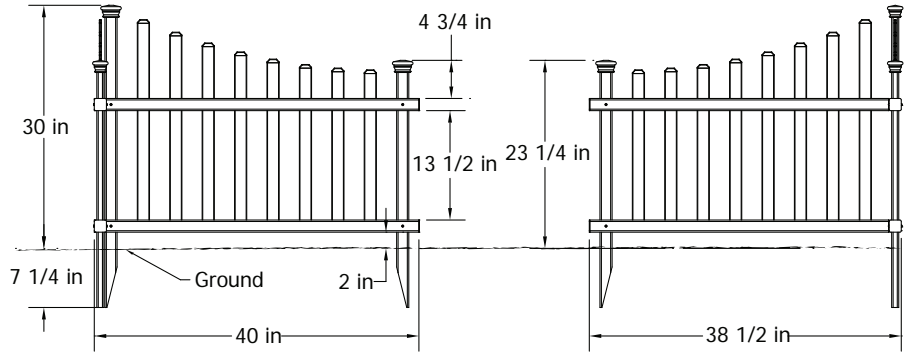
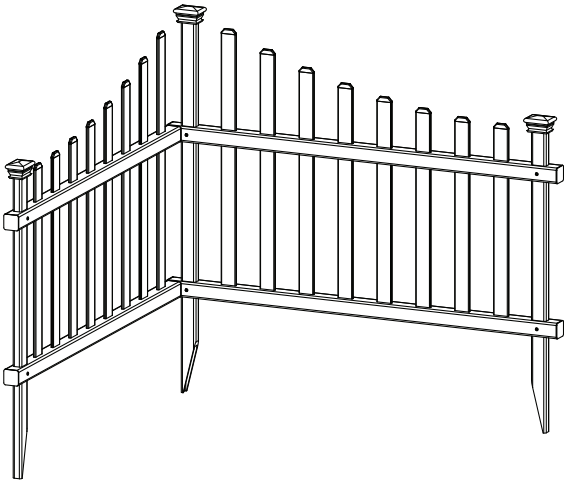


ASSEMBLY INSTRUCTIONS



ZIPPITY
DO-IT-YOURSELF
FRIENDLY PRODUCTS

Ashley Vinyl Corner Picket Fence Kit (40"W x 30"H)



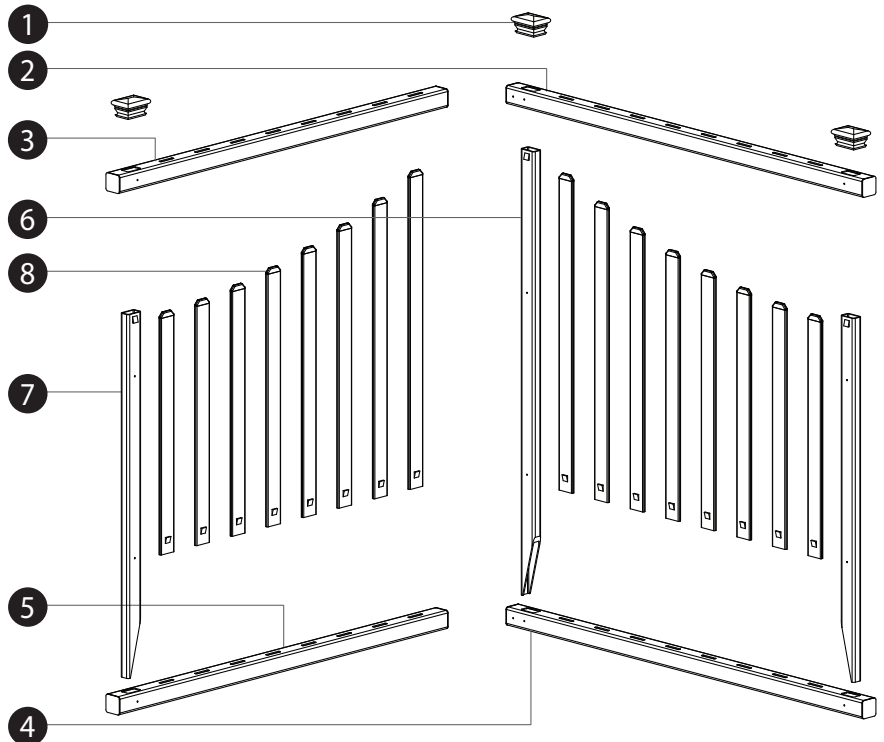
Please read through before starting assembly.

IMPORTANT: CHECK THE INSIDE OF THE LARGER PIECES IN YOUR BOX FOR OTHER MATERIALS PACKED INSIDE.

Check Box for These Contents

In the event of missing or defective parts please call our customer service department at **1 877 234 6196** (Mon. to Fri. 8:00 AM to 4:00 PM EST).

1. Post Caps (3)
2. Top Rail - Long (1) - 1 1/2" x 1 1/2" x 40 1/8"
3. Top Rail - Short (1) - 1 1/2" x 1 1/2" x 37"
4. Bottom Rail - Long (1) - 1 1/2" x 1 1/2" x 40 1/8"
5. Bottom Rail - Short (1) - 1 1/2" x 1 1/2" x 37"
6. Posts - Tall (1) - 7/8" x 1 1/2" x 36 3/4"
7. Posts - Short (2) - 7/8" x 1 1/2" x 30"
8. Pickets (16) - 1 - 1/4" x 1 1/2" x 26 1/8"
2 - 1/4" x 1 1/2" x 24 5/8"
3 - 1/4" x 1 1/2" x 23 1/4"
4 - 1/4" x 1 1/2" x 22 1/8"
5 - 1/4" x 1 1/2" x 21 1/4"
6 - 1/4" x 1 1/2" x 20 5/8"
7 - 1/4" x 1 1/2" x 20 1/8"
8 - 1/4" x 1 1/2" x 20"
9. 3/4" Self-Auguring Stainless Steel Screw (12)
10. 2 1/2" Self-Auguring Stainless Steel Screw (2)



Tools You Will Need

- Cordless Drill
- Level
- Hammer

General Information

- Read Instructions through carefully before beginning assembly.
- When assembling components, place on a non-abrasive surface (i.e. shipping box) to avoid scratching.
- We recommend an area approx 5' x 8' for unobstructed assembling.
- You should not need to use excessive force when assembling components.



Not to Scale

STEP ONE

Assemble Full Panel

1

Position the top and bottom long rails as illustrated and slide the one short and one tall post down through the large routed holes in the rails until the pre-drilled holes in the post and rails are aligned.

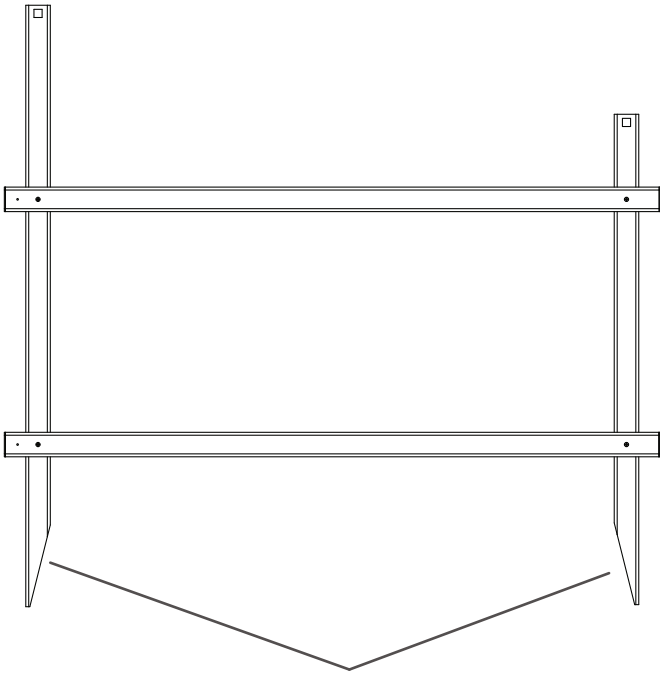
Note the difference between the top and bottom rails.

Tip!

Shine an LED light from smart phone or flashlight down the end of the posts to help identify alignment of pre-drilled holes if necessary.

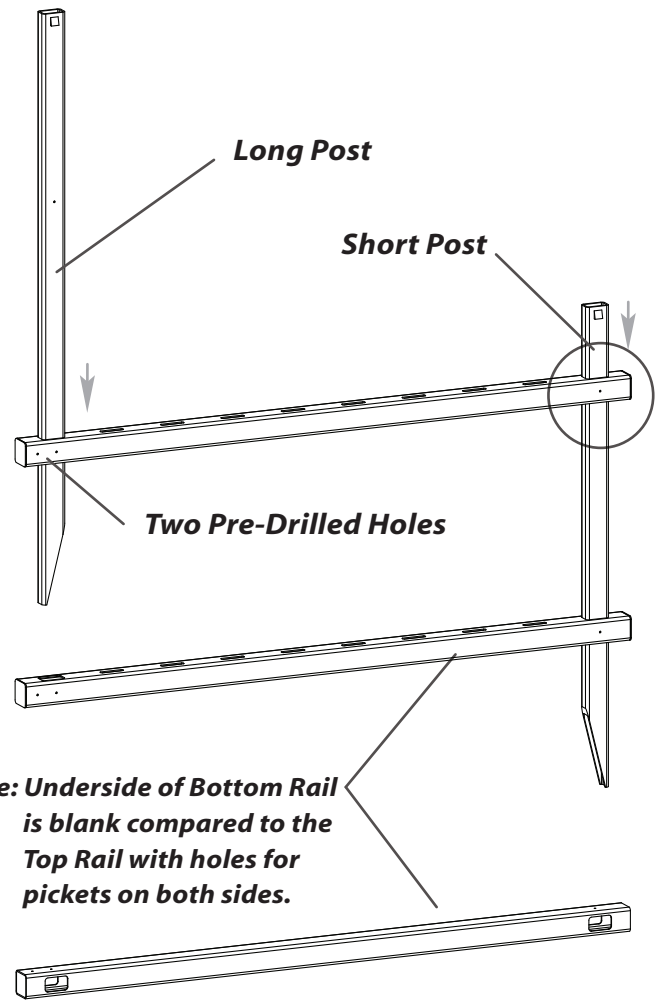
2

Once all the holes are aligned, screw the top and bottom rails into both sides of both posts.



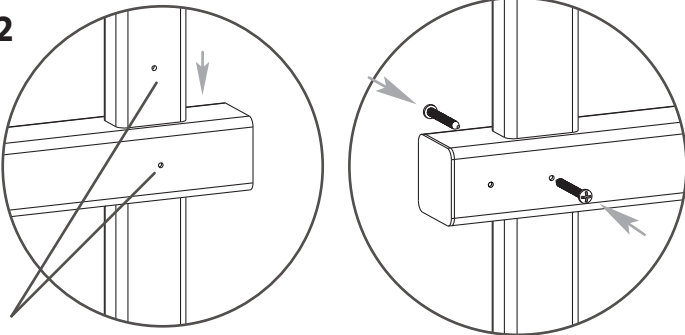
Note: Orientate the bottom of Posts as Illustrated

1

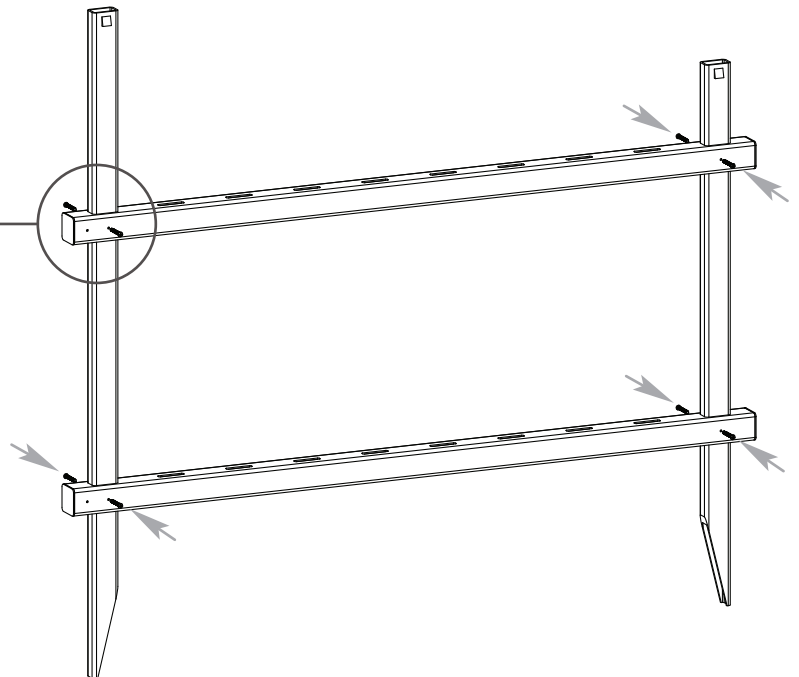


Note: Underside of Bottom Rail is blank compared to the Top Rail with holes for pickets on both sides.

2



Note: Align Holes



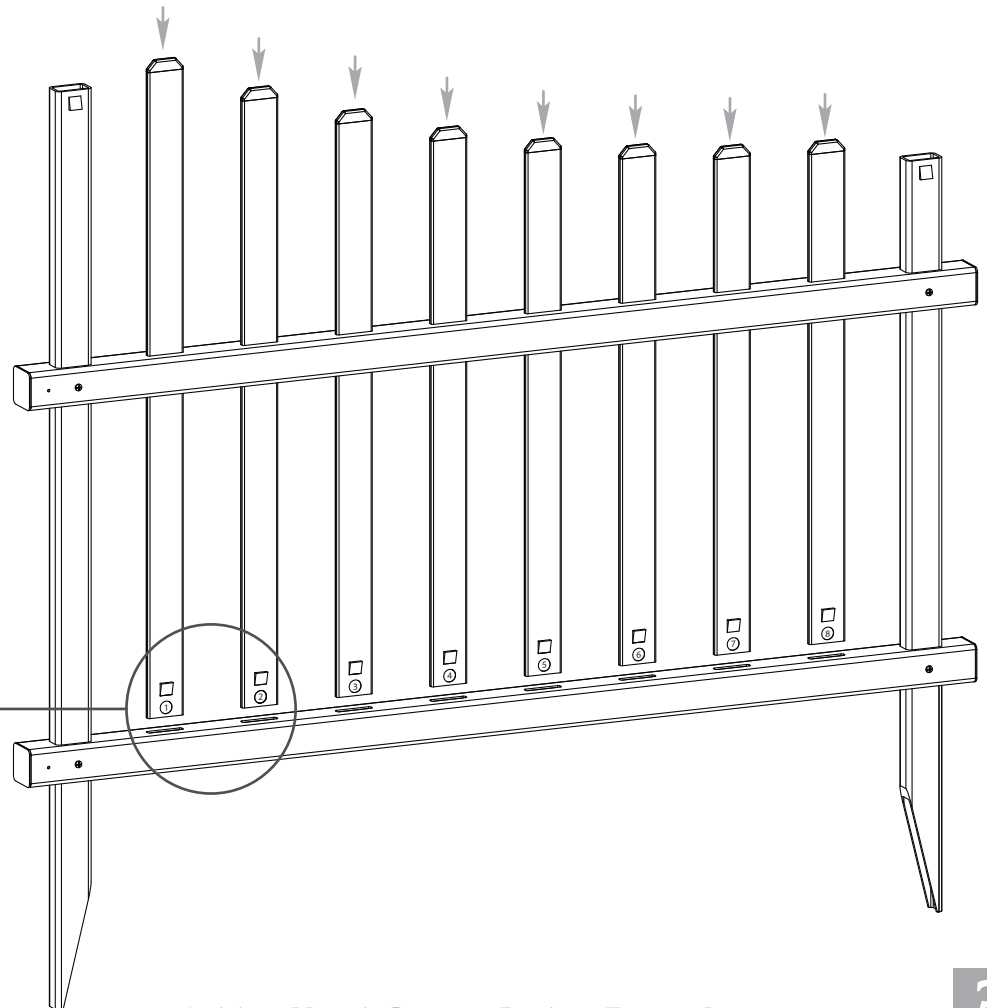
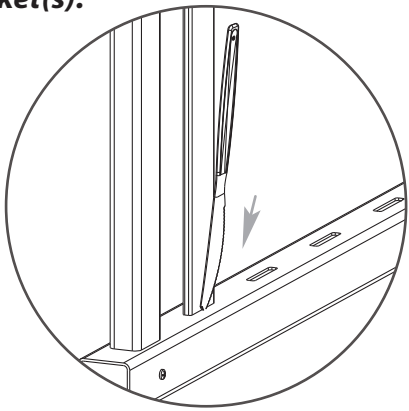
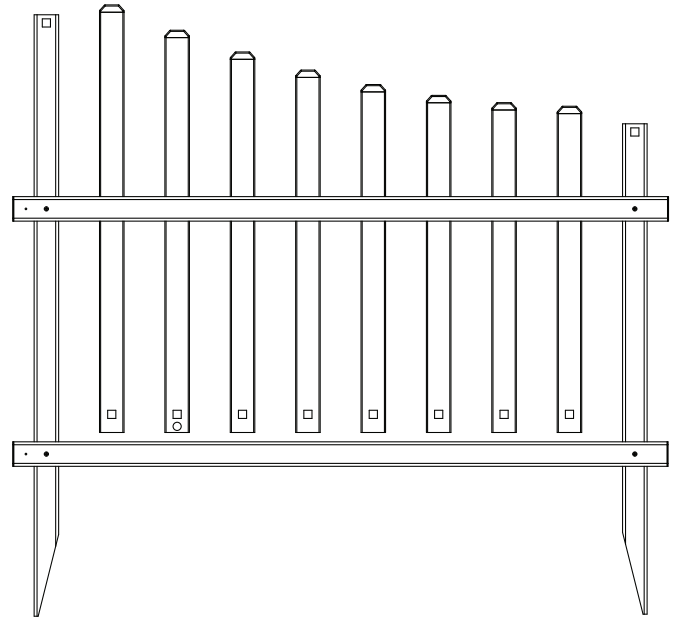
STEP TWO

1

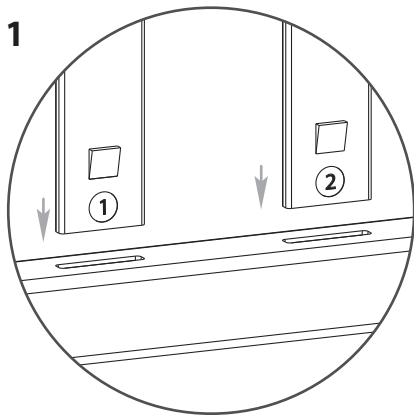
Pickets are identified 1, 2, 3, 4, 5, 6, 7 and 8 to create scallop pattern. Please insert in pattern as identified in illustration. Starting with the tallest picket, slide each one down thru the top rail and into the bottom rail.

Note: The tabs on the bottom of the pickets are intended to go into the bottom rail to lock picket in place.

Note: Once inserted, the pickets will lock into place. To remove the picket(s), gently insert a butter knife along the picket direction as shown and slowly pull up the picket(s).



1



STEP THREE

Assemble Partial Panel

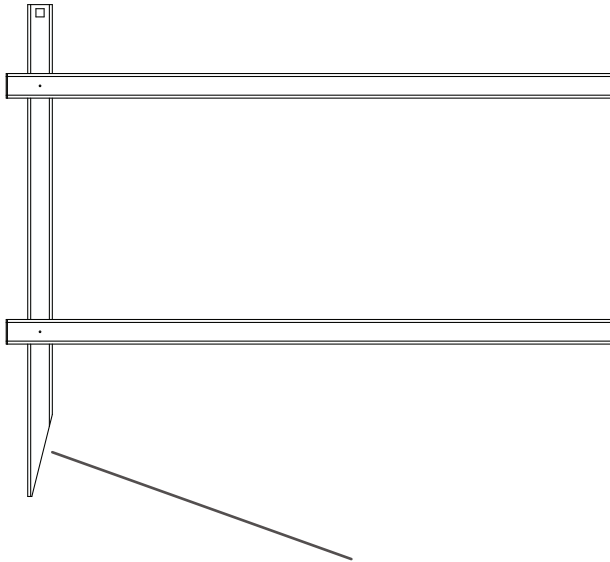
1

Position the top and bottom short rails as illustrated and slide the one short post down thru the large routed holes in the rails until the pre-drilled holes in the post and rails are aligned.

Note the difference between the top and bottom rails.

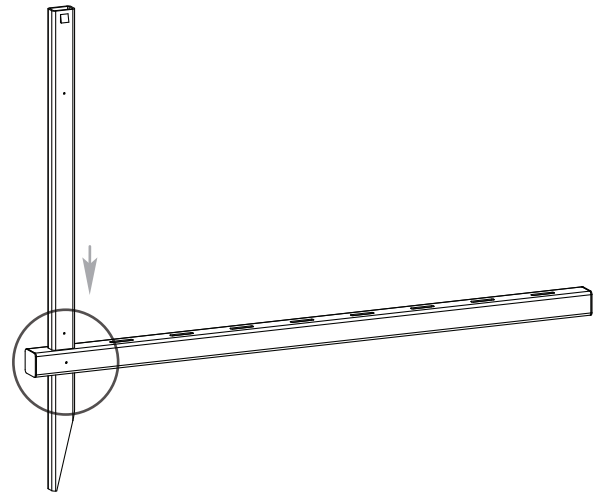
2

Once all the holes are aligned, screw the top and bottom rails into both sides of the post.

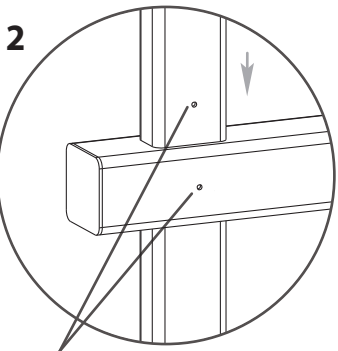


Note: Orientate the bottom of Post as Illustrated

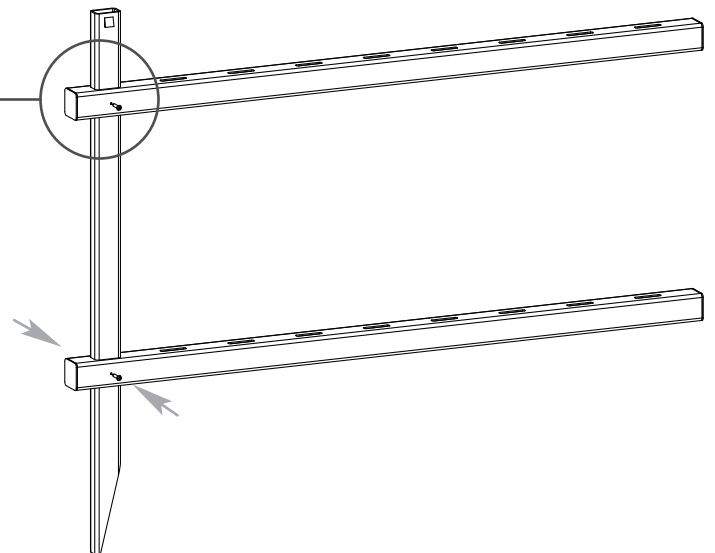
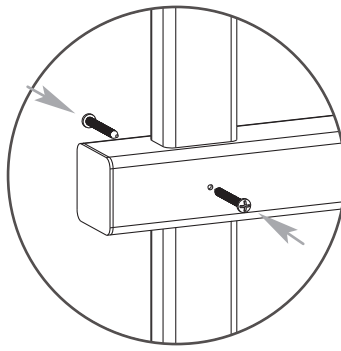
1



Note: Underside of Bottom Rail is blank compared to the Top Rail with holes for pickets on both sides.



Note: Align Holes



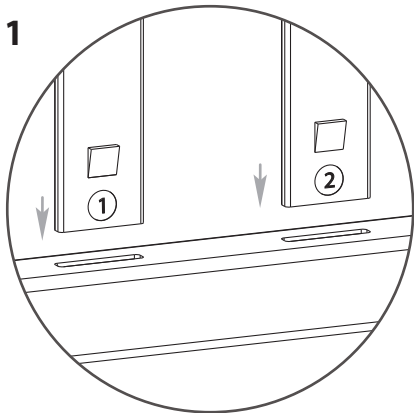
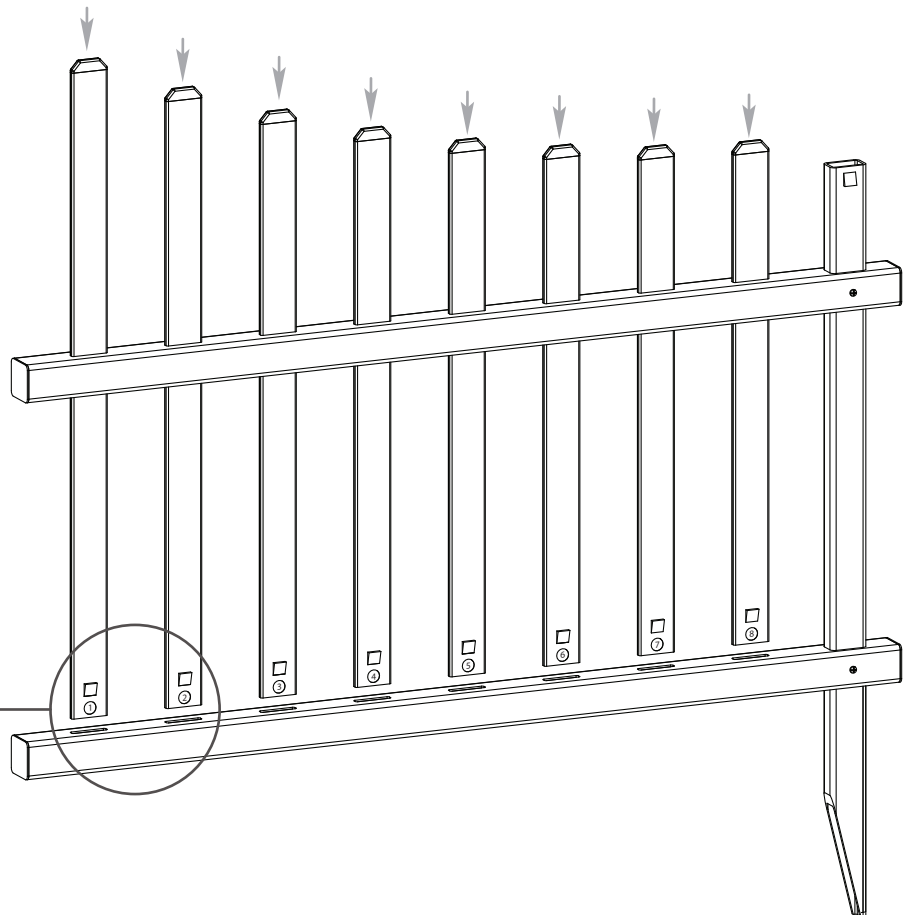
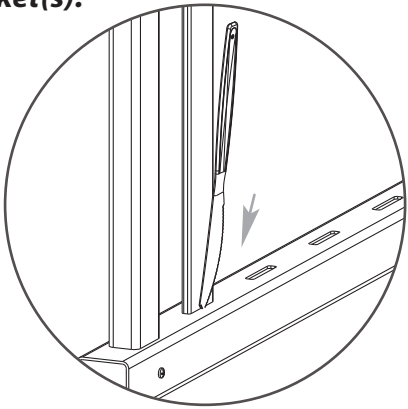
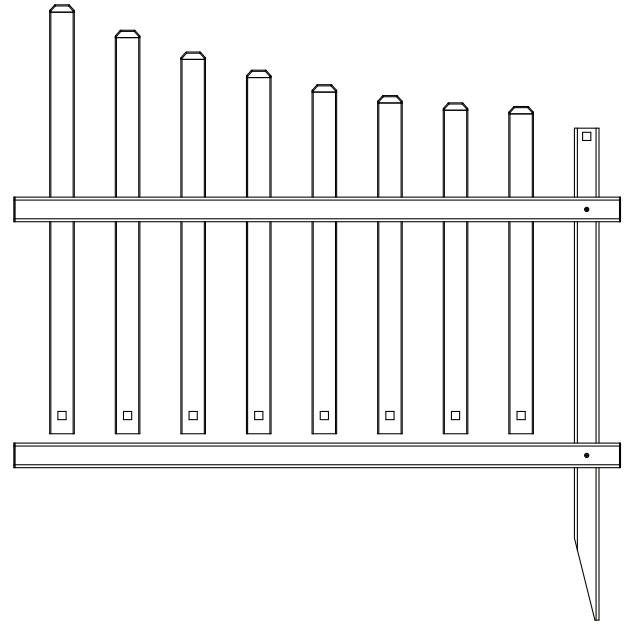
STEP FOUR

1

Pickets are identified 1, 2, 3, 4, 5, 6, 7 and 8 to create scallop pattern. Please insert in pattern as identified in illustration. Starting with the tallest picket, slide each one down thru the top rail and into the bottom rail.

Note: The tabs on the bottom of the pickets are intended to go into the bottom rail to lock picket in place.

Note: Once inserted, the pickets will lock into place. To remove the picket(s), gently insert a butter knife along the picket direction as shown and slowly pull up the picket(s).



STEP FIVE

Fasten the Panels Together

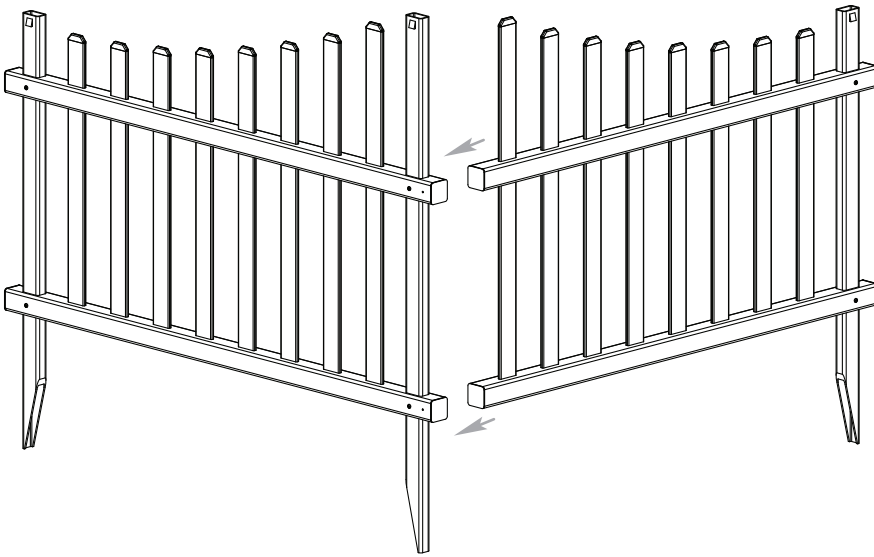
1

Bring the two panels together as shown (you might need a helper).

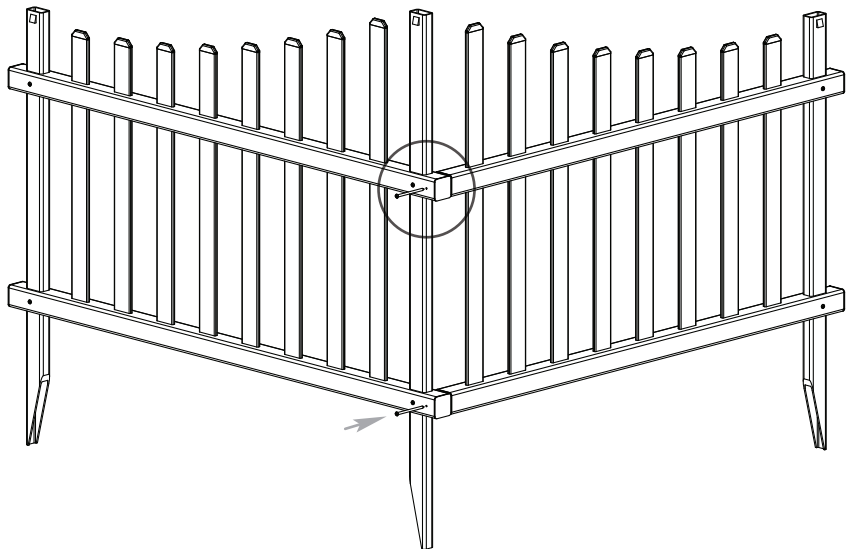
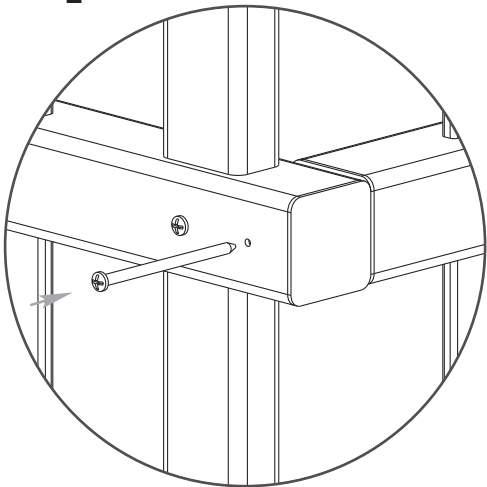
2

Fasten the two panels together using the long screws provided through the pre-drilled holes as shown.

1



2



STEP SIX

Install fence into Ground

1

Move the fence to its final location and identify the location of posts.

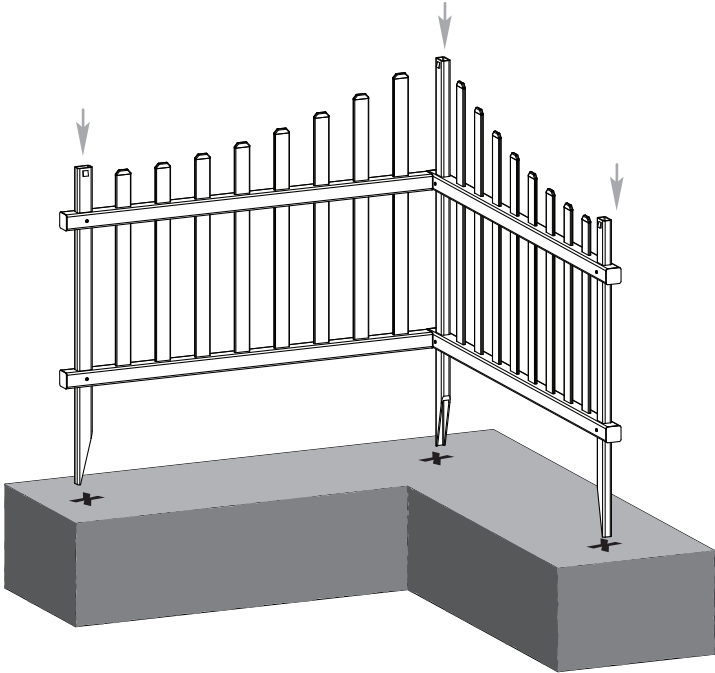
2

Attempt to push the unit into the ground as illustrated

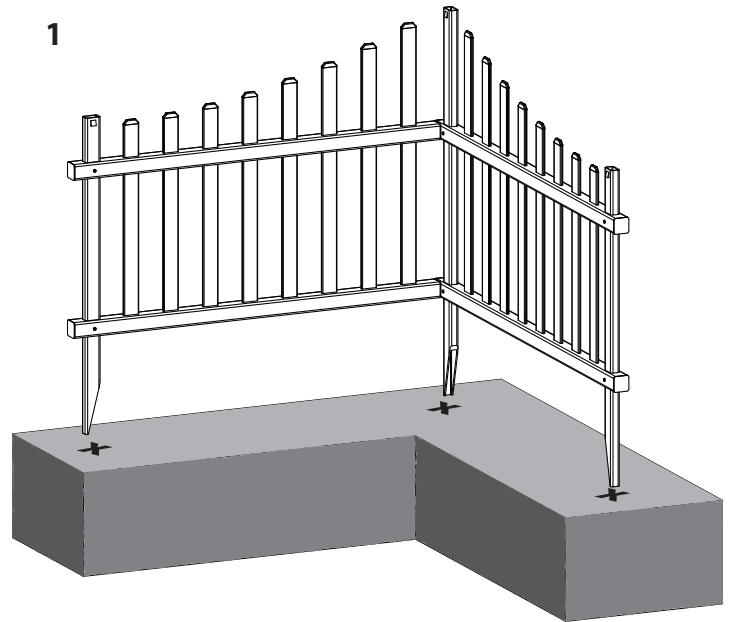
Optionally:

1. If your ground is too hard, loosen the top 4" of the ground with a claw hammer as illustrated.
2. Add water to loosen soil
3. Use a block of wood to protect the top of post and gently hammer each post into the ground equally.

*Push down on the top of posts
with both hands*

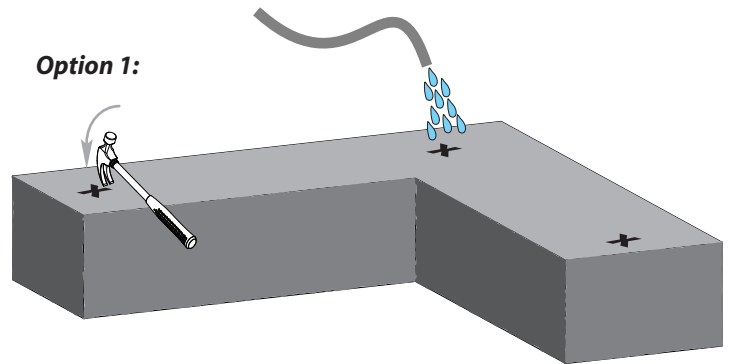


1

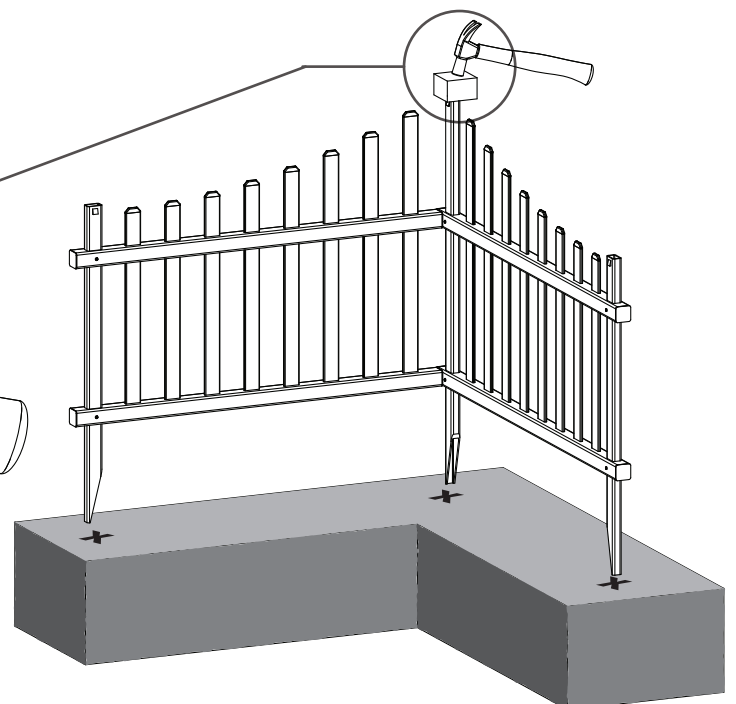
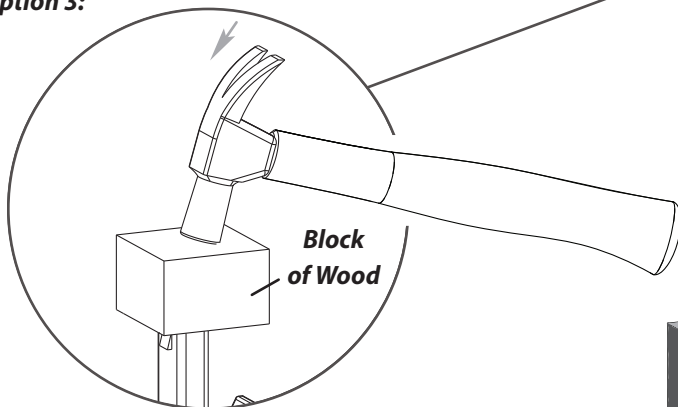


Option 2:

Option 1:



Option 3:



STEP SIX

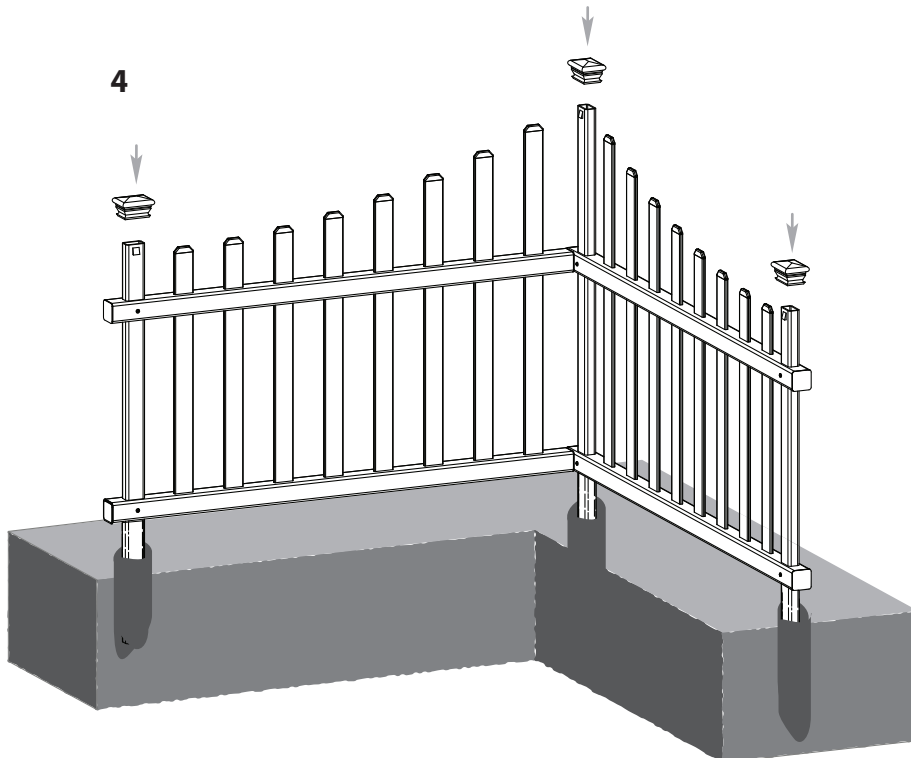
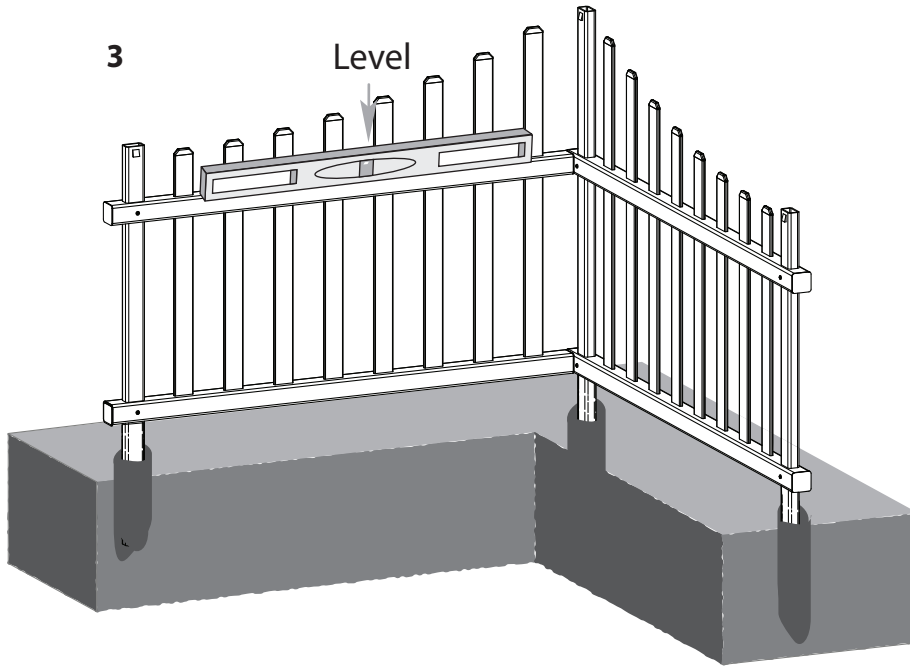
Install fence into Ground - Continued

3

Level the assembled unit and backfill and compact dirt around the base of each post to strengthen the unit.

4

Finish the assembly by pushing the post caps down over the top of posts as illustrated. The post caps will lock into place.



ZIPPITY
DO-IT-YOURSELF
FRIENDLY PRODUCTS