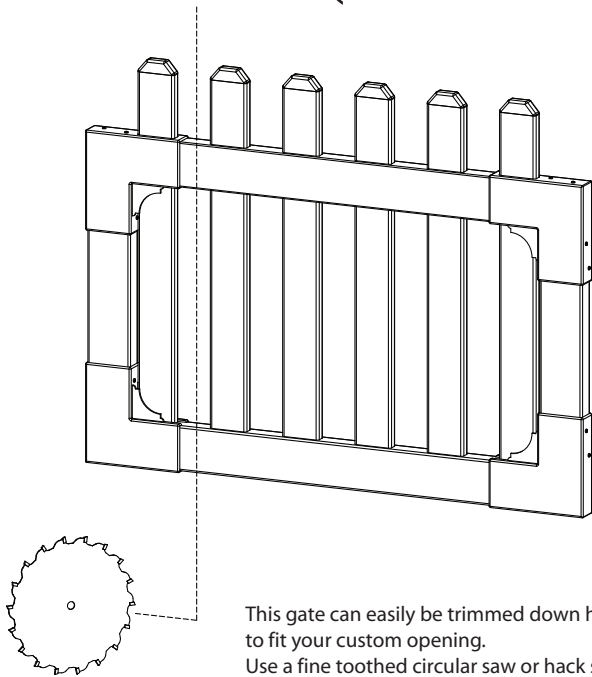
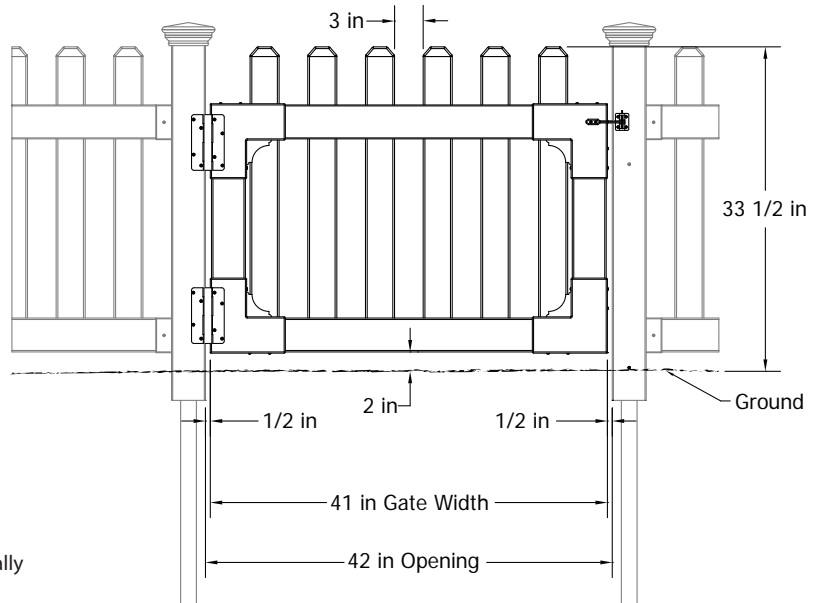


ASSEMBLY INSTRUCTIONS

Newport Vinyl Picket Gate (31"H x 41"W)



This gate can easily be trimmed down horizontally to fit your custom opening. Use a fine toothed circular saw or hack saw



This Gate is designed to be integrated with our Newport Vinyl Picket Fence

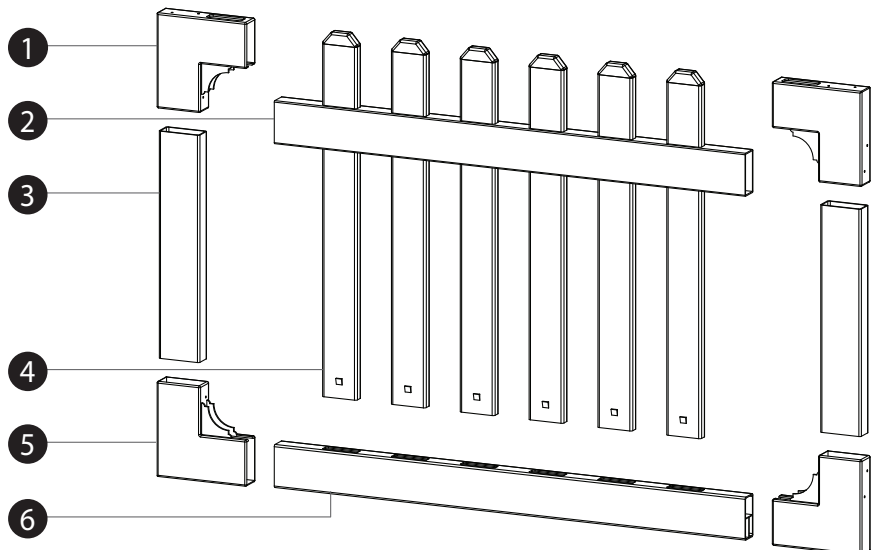
Please read through before starting assembly.

IMPORTANT: CHECK THE INSIDE OF THE LARGER PIECES IN YOUR BOX FOR OTHER MATERIALS PACKED INSIDE.

Check Box for These Contents

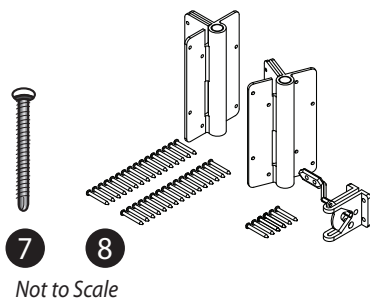
In the event of missing or defective parts please call our customer service department at **1 877 234 6196** (Mon. to Fri. 8:00 AM to 4:00 PM EST).

1. Top Gate Brackets (2)
2. Top Rail (1) - 1 1/2" x 3 1/2" x 40 3/4"
3. Vertical Rails (2) - 1 1/2" x 3 1/2" x 18 1/2"
4. Pickets (6) - .875" x 3" x 29 3/4"
5. Bottom Gate Brackets (2)
6. Bottom Rail (1) - 1 1/2" x 3 1/2" x 40 3/4"
7. 1-3/8 Self-Auguring Stainless Steel Screw (24)
8. Gate Hardware Kit with Fasteners



Tools You Will Need

- Cordless Drill
- Level



GENERAL INFORMATION

Zippity Vinyl Picket Gate



1 - Read Over Fence Instructions First

Your gate and fence will work better together as an integrated solution if you first take the time to read and understand your fence instructions.

2 - Pre-Assemble the Gate Frame

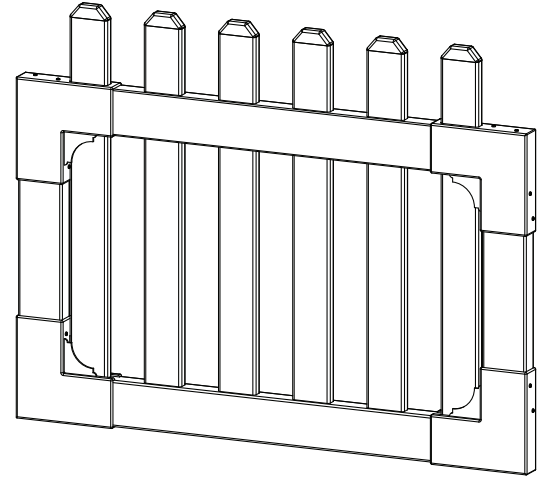
(without pickets)

Please do not screw your gate frame together until you have first temporarily assembled the gate frame. In other words, do a dry run first.

This will ensure three things:

- a) That you have everything necessary to complete the gate.*
- b) That you will have assembled the gate frame in the correct order.*
- c) All the pieces fit and function properly.*
- d) The gate height and width measure similar to drawing on Page 1.*

It's easier to trouble shoot when things are not screwed together. After you assemble your gate correctly, please disassemble as necessary and use screws to permanently assemble the gate.

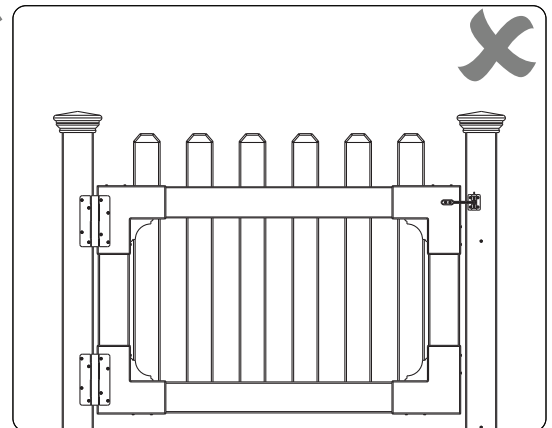
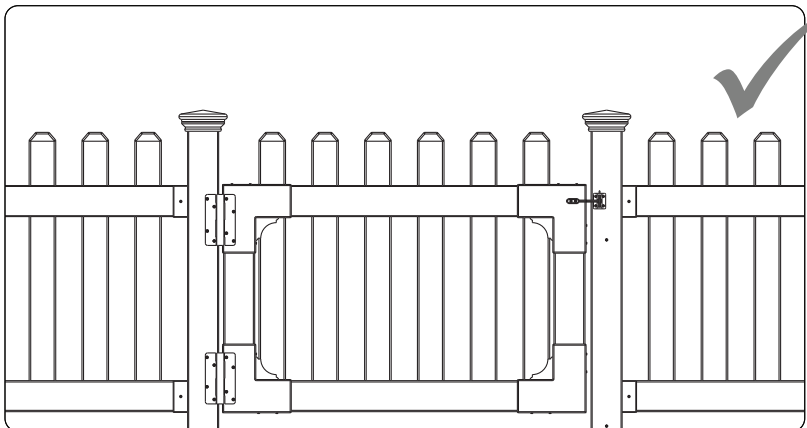


3 - Ideally, Install Your Gate Posts Before Your Fence Posts

Your fence panels will be more forgiving for a custom fit than your gate. Ideally, position and install your gate posts before you do anything else, or very early on in the process of setting up your fence run.

4 - Ideally, Do Not Hang Your Gate System Off A Single, Non-Supported Post

Your gate will perform better and last longer if your hinge post is connected to a panel of fence which is connected to another post. The weight strain will be transferred unto two posts versus just one. Installing fence panels on both sides of your gate is the ideal in all situations. If this is not possible because of space restrictions, please contact us for alternative solutions to overcome.



STEP ONE

Assemble the Gate Frame Bottom and Sides

1

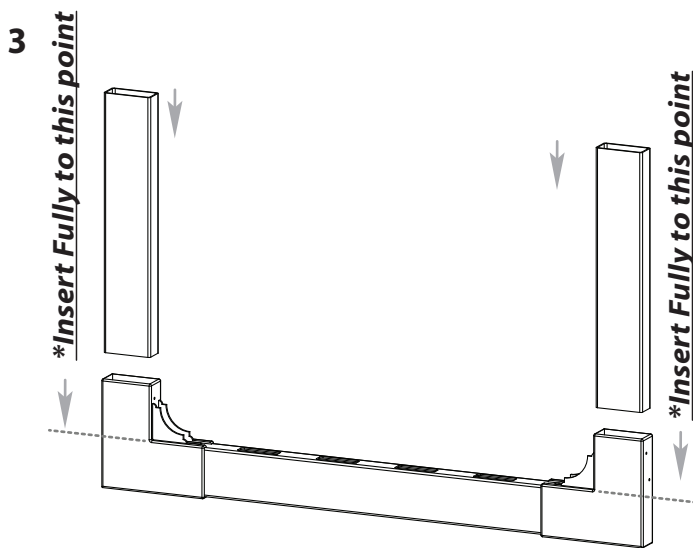
Insert the bottom rail all the way until it bottoms out inside one of the bottom gate bracket as illustrated.

2

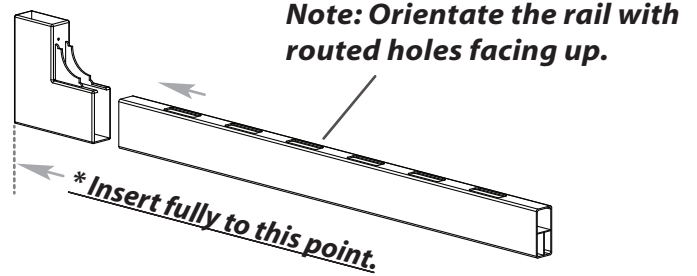
Insert the bottom rail all the way until it bottoms out inside the opposing bottom gate bracket as illustrated.

3

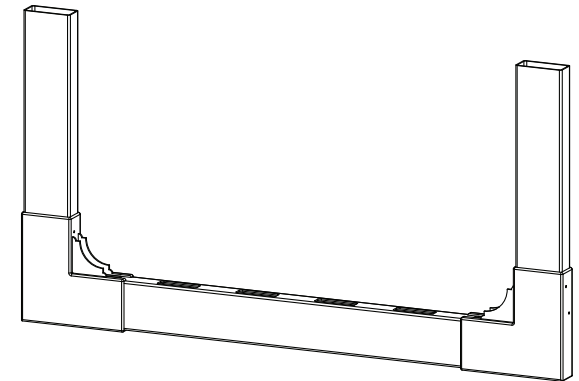
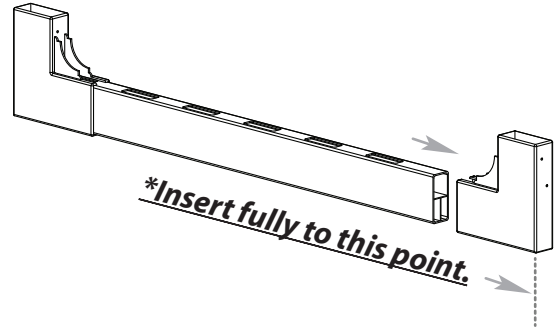
Insert vertical rails. They will bottom out against bottom rail.



1



2



STEP TWO

Assemble the Gate Frame Top & Attach to Sides

1

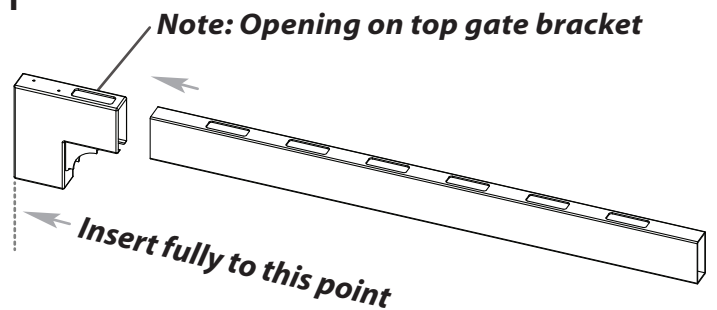
Insert top rail all the way until it bottoms out inside top gate bracket.

2

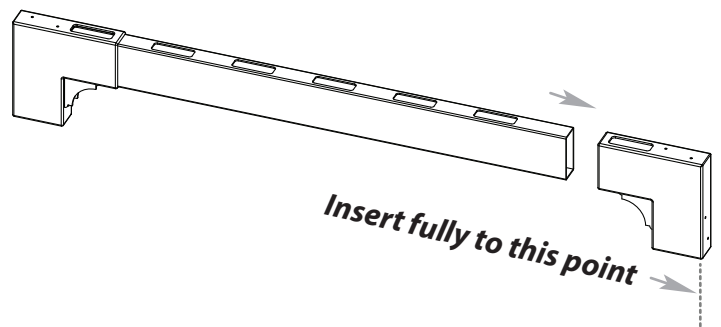
Insert rail all the way until it bottoms out inside top gate bracket.

Last routed hole on each end of rail should align itself with routed hole in bracket.

1



2



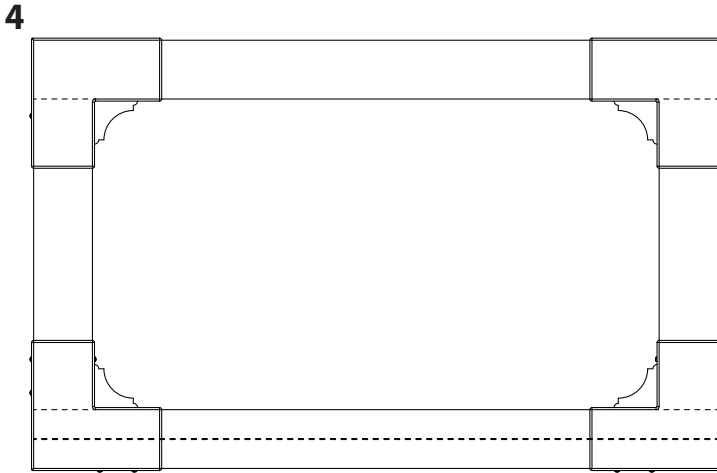
STEP TWO

3

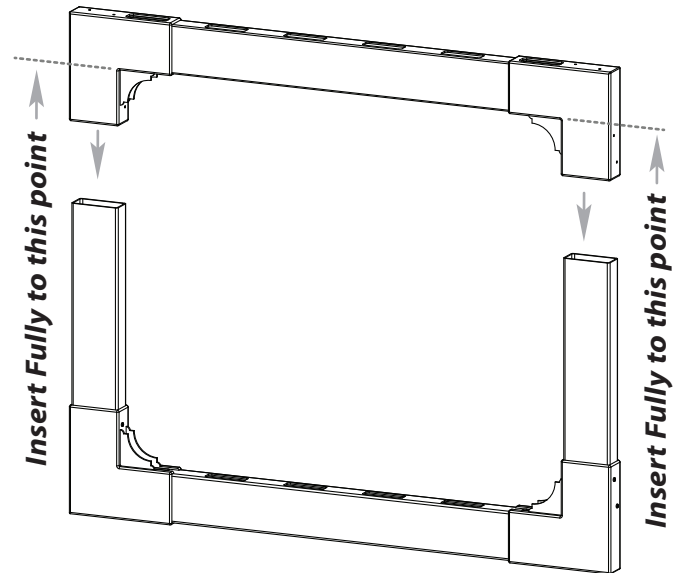
Slide top gate brackets with top rail attached down over the vertical posts.

4

Completely assembled gate frame shown.



3

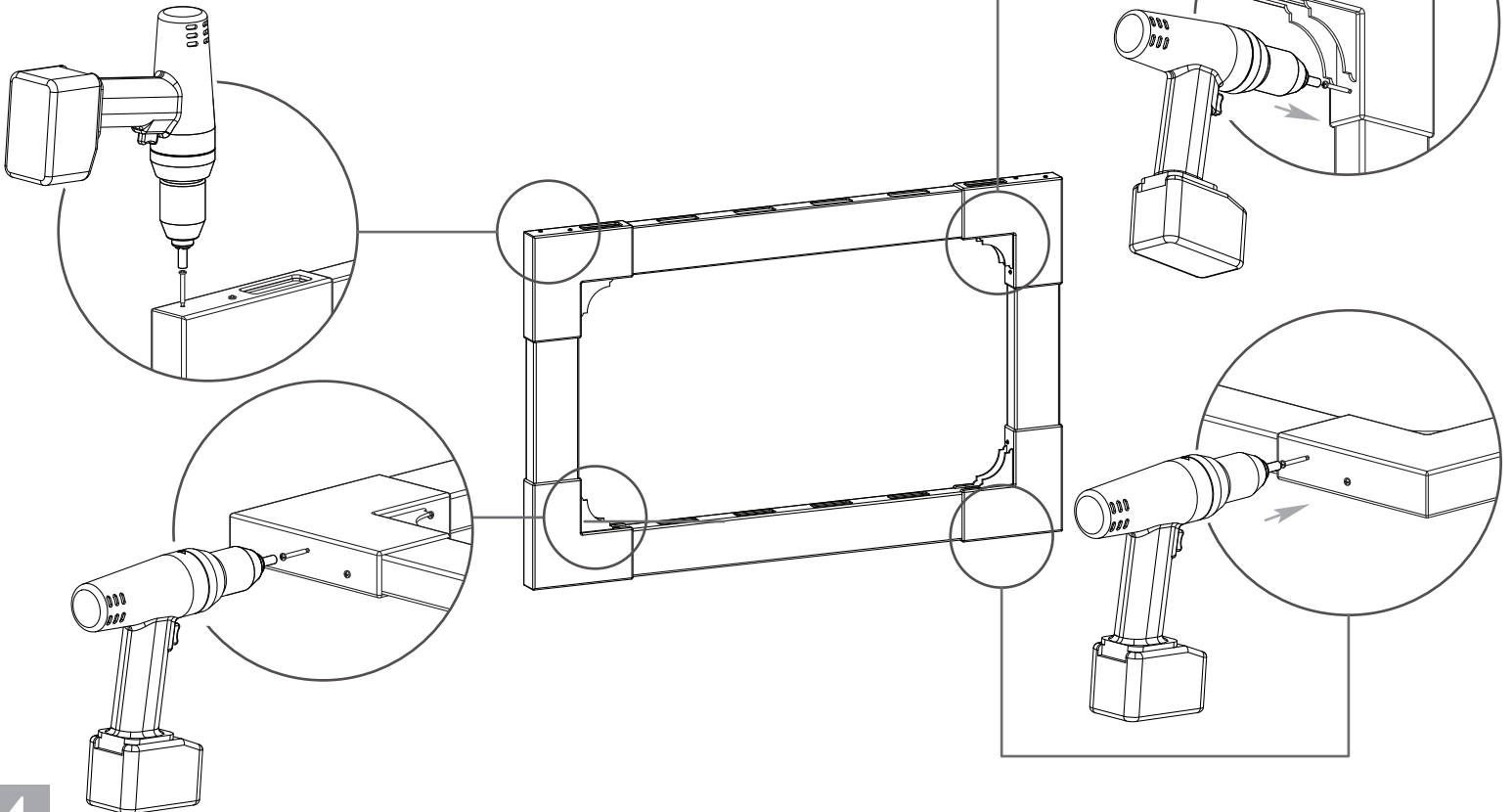


STEP THREE

Screw Gate Frame/Brackets

1

Fasten brackets into rails as necessary.



STEP FOUR

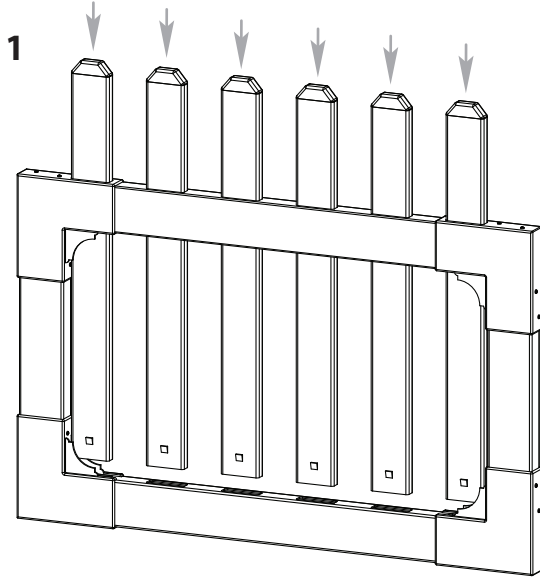


ZIPPITY
DO-IT-YOURSELF
FRIENDLY PRODUCTS

Insert Pickets into Gate Frame

1

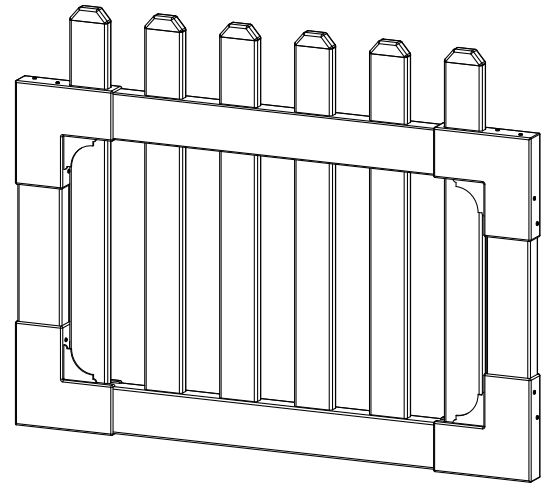
Insert pickets through top rail down into bottom rail.



2

Completed gate with frame shown.

2

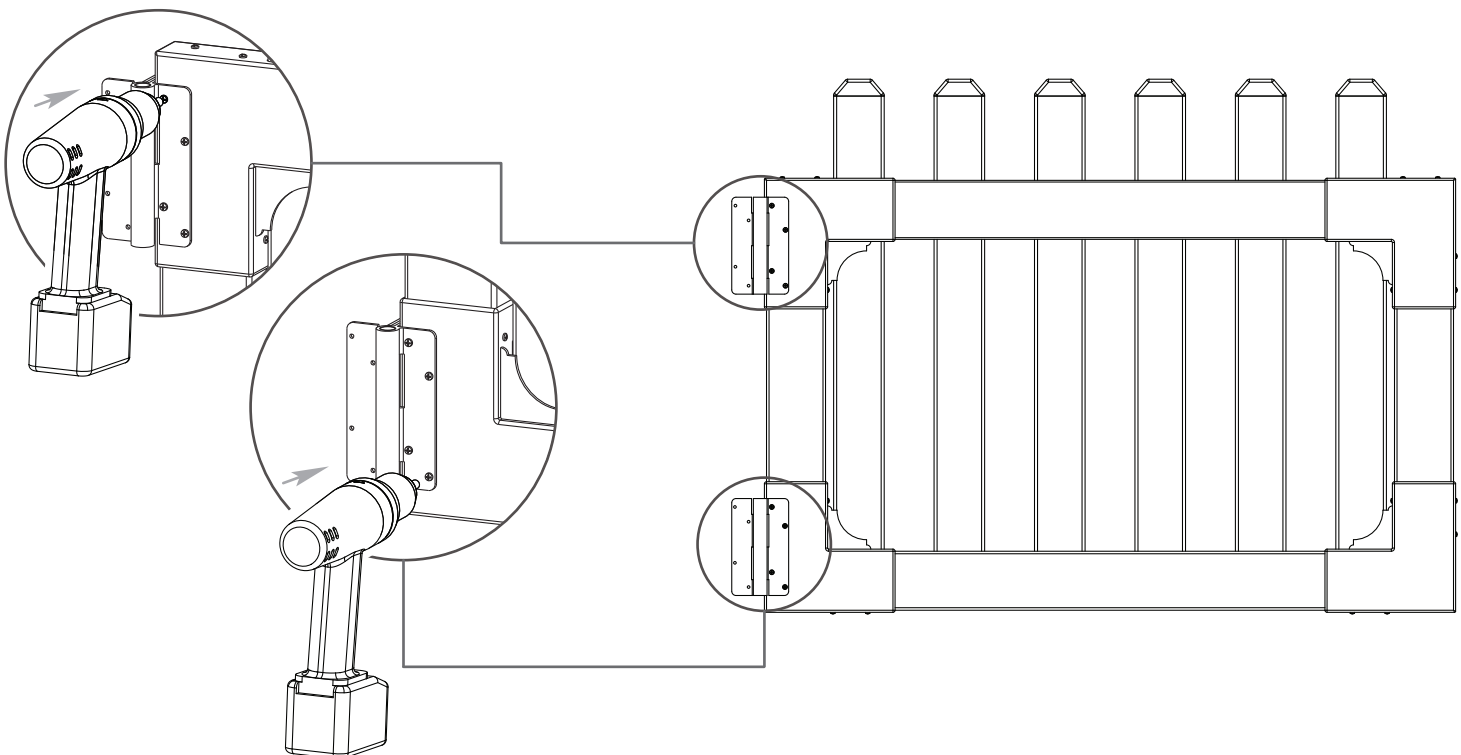


STEP FIVE

Fasten Gate Hinges

1

Fasten gate hinges onto the gate brackets with hardware screws.



STEP SIX

Position, Adjust & Align Gate/ Secure Hinges to Posts

1

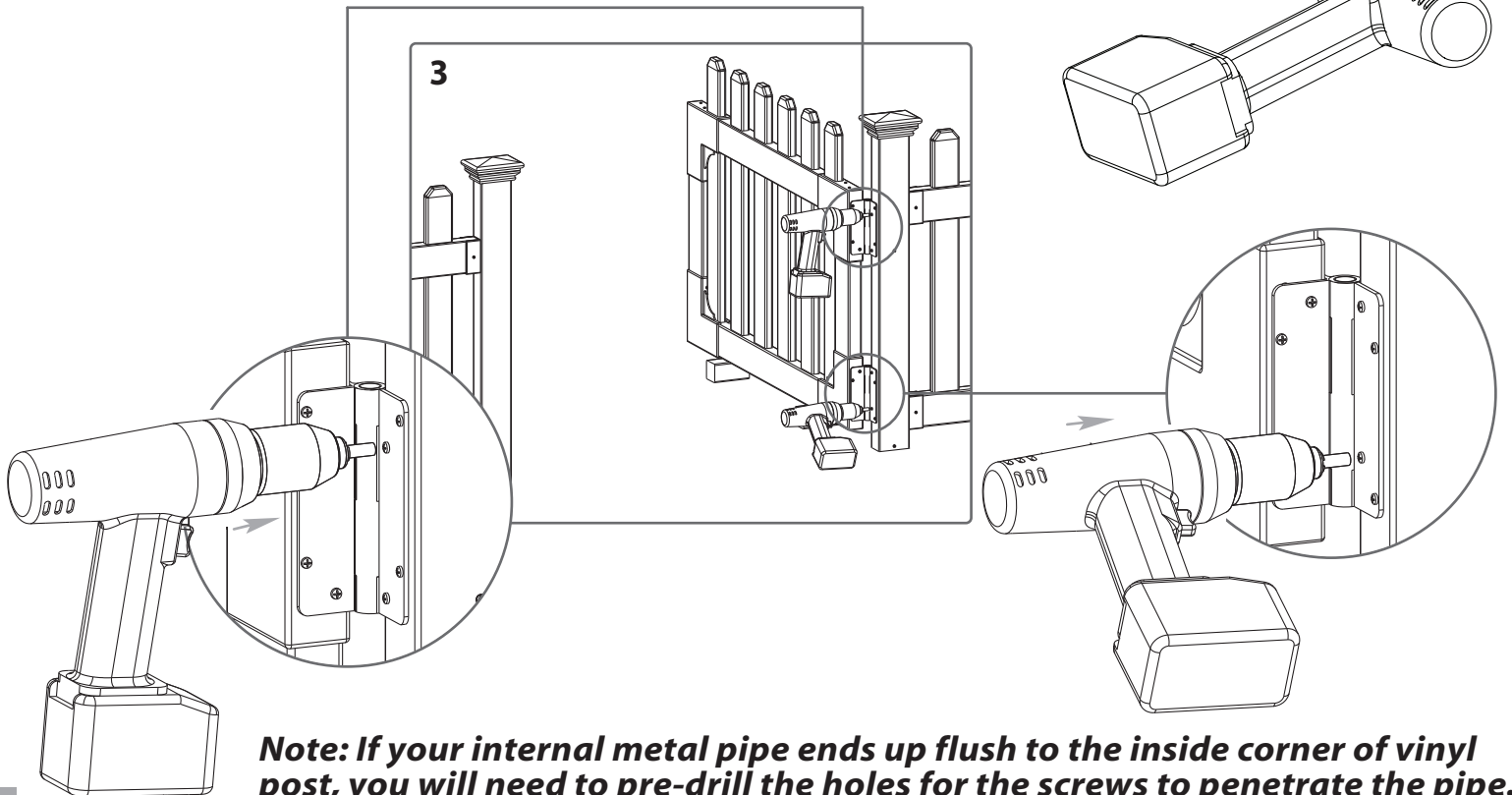
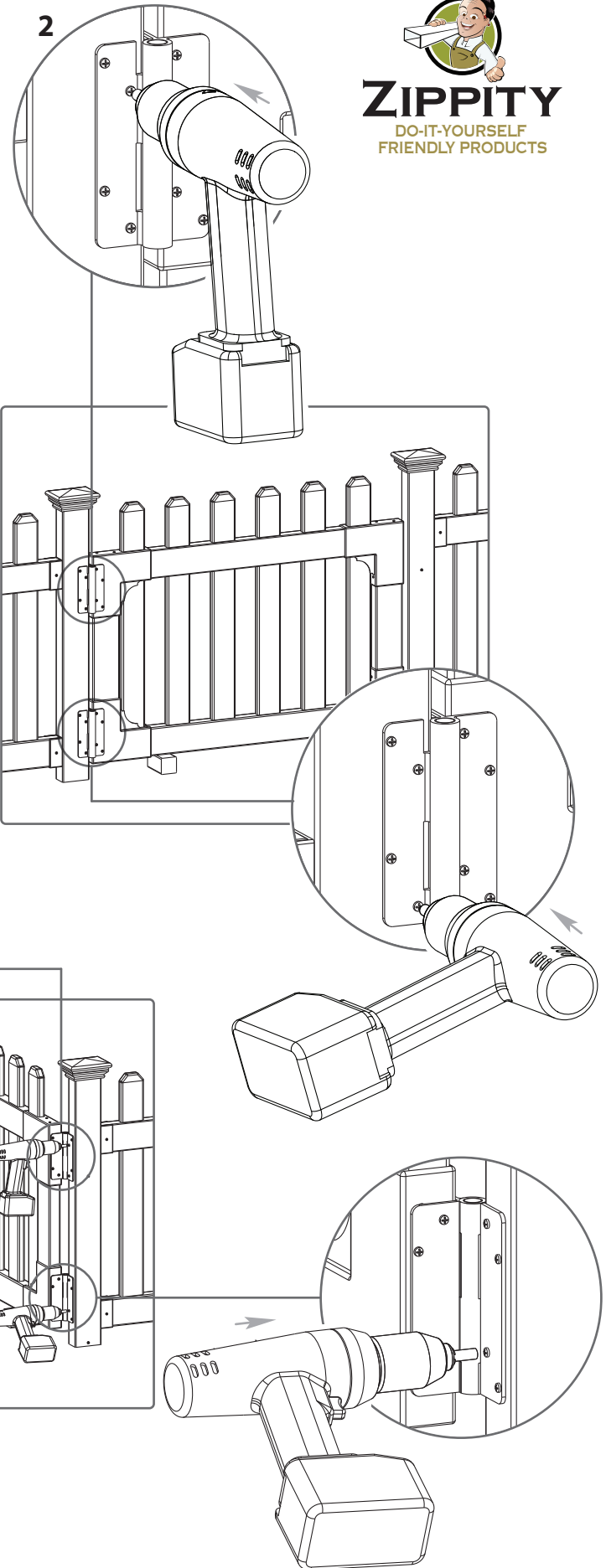
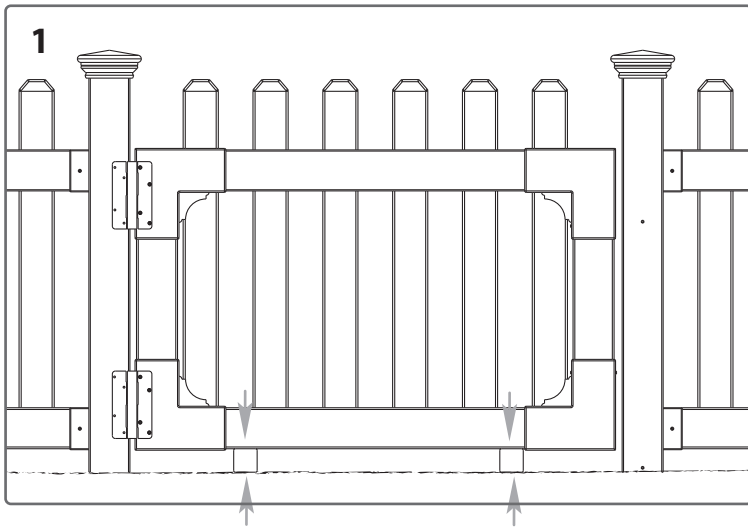
Use temporary spacers OR blocks to rest the gate on during alignment and installation.

2

Fasten hinges to the post with hardware screws.

3

Open the gate and fasten the hinges to the post from the inside.



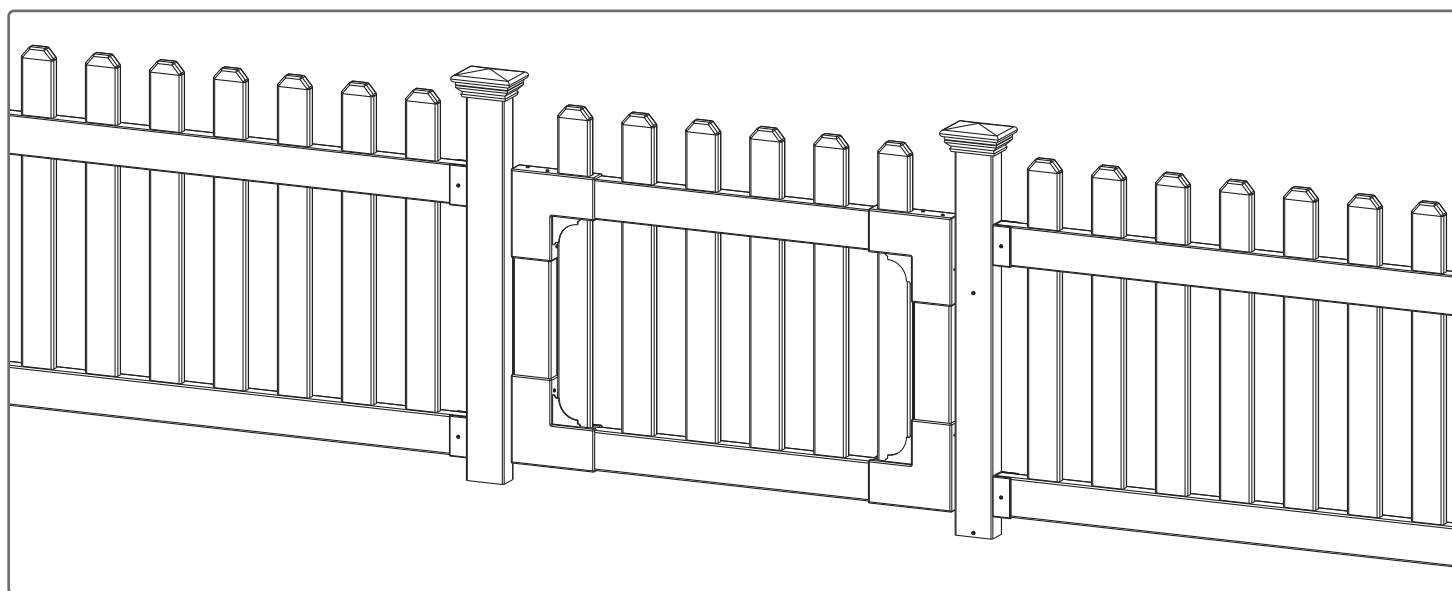
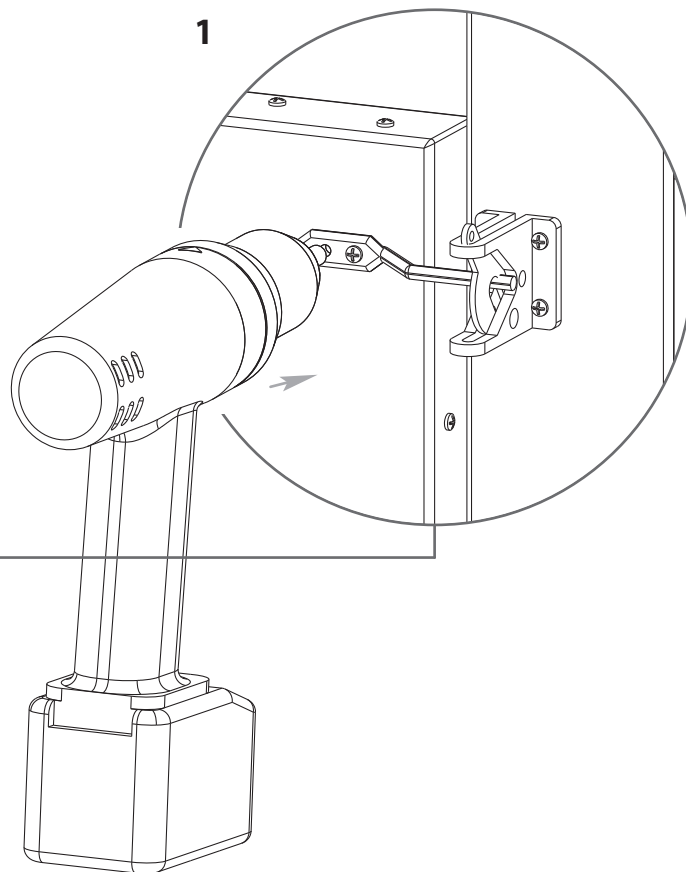
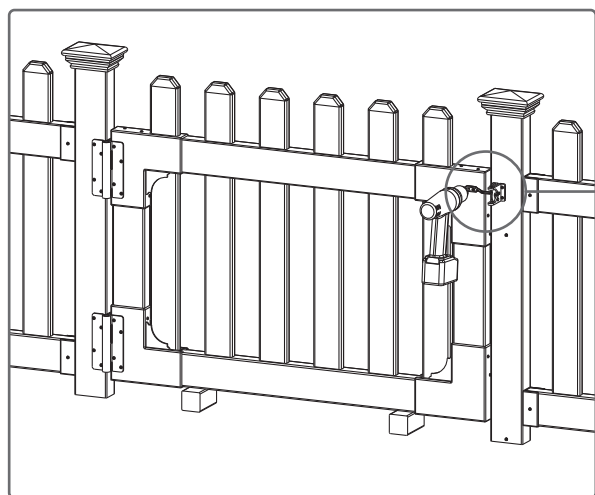
Note: If your internal metal pipe ends up flush to the inside corner of vinyl post, you will need to pre-drill the holes for the screws to penetrate the pipe.

STEP SEVEN

Align & Install Latch

1

Align and fasten the gate latch to fit and function with the gate finger.



Congratulations, you are finished!

