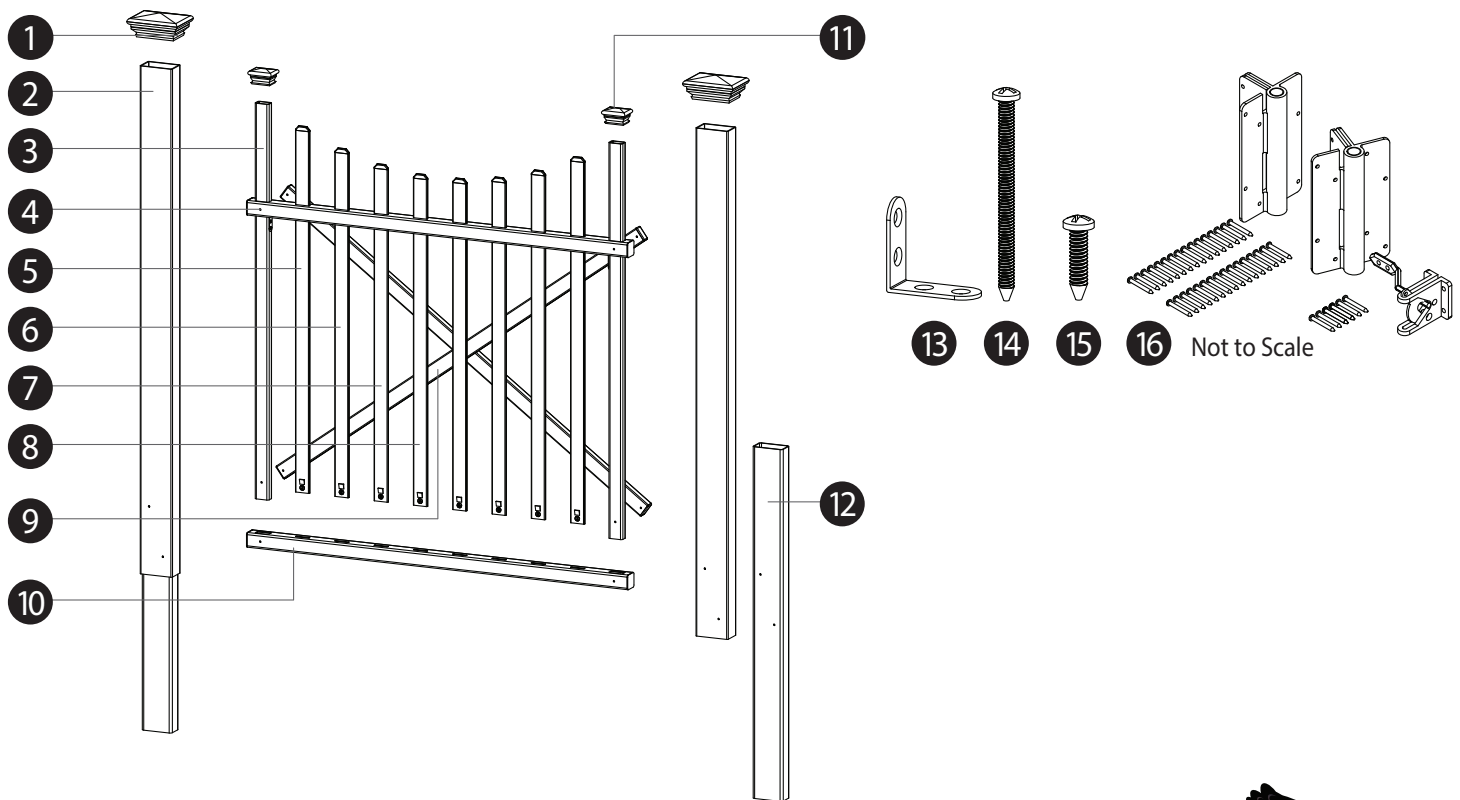


BOX CONTENTS

Manchester Vinyl Picket Gate with Posts (42in Wide x 42in Tall)

1. Post Caps (2)
2. Posts (2) - 2" x 3½" x 52"
3. Vertical Rails (2) - 7/8" x 1½" x 40½"
4. Gate Top Rail (1) - 1½" x 1½" x 41 3/8"
5. Picket 1 (2) - ¼" x 1½" x 37½"
6. Picket 2 (2) - ¼" x 1½" x 35 5/8"
7. Picket 3 (2) - ¼" x 1½" x 34½"
8. Picket 4 (2) - ¼" x 1½" x 33 7/8"
9. Gate Braces (2) - 7/8" x 1½" x 48 3/8"
10. Gate Bottom Rail (1) - 1½" x 1½" x 41 3/8"
11. Vertical Rail Post Caps (2)
12. Post Extensions (2) - 1¾" x 3¼" x 36"
13. Corner Brackets (4)
14. 2 in Self-Augering Stainless Steel Screws (4)
15. 5/8 in Self-Augering Stainless Steel Screws (27)
16. Gate Hardware Kit with Fastener



Additional Materials Required (Not Included)

- 2 Bags of pre-mix concrete

Tools You Will Need

- Cordless Drill
- Level
- Shovel



ZIPPITY
Easy Does It!